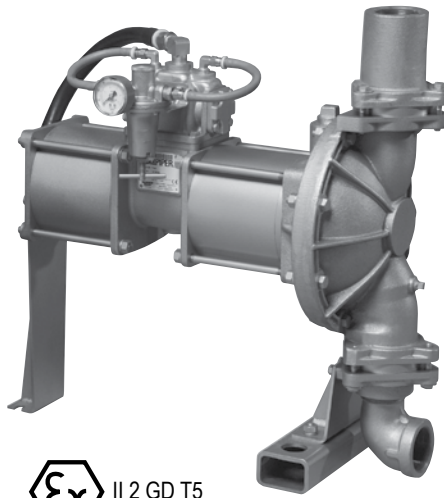


WARREN RUPP®

Quality System
ISO9001 Certified

Environmental
Management System
ISO14001 Certified

IBEX
FLUID & METERING



Ex II 2 GD T5

SANDPIPER®

A WARREN RUPP PUMP BRAND

HIGH PRESSURE DUTY

EH2-M Type 4 (2:1 RATIO)

Air-Powered Diaphragm Pump

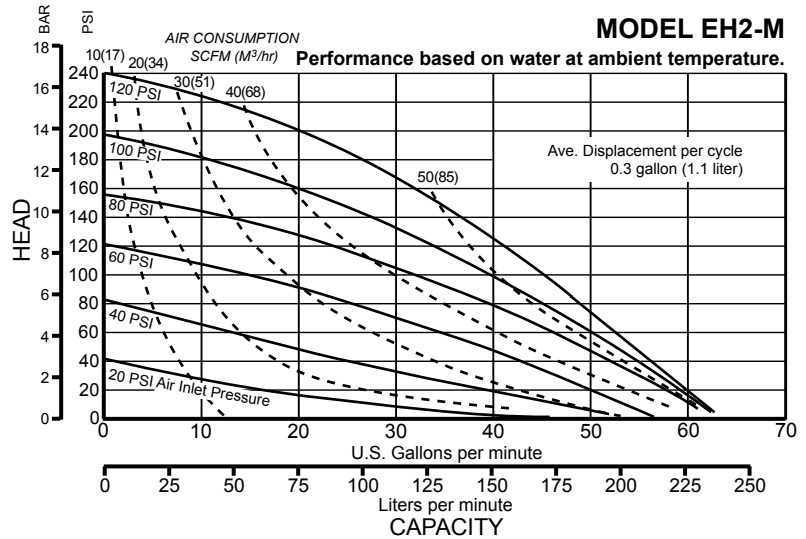
ENGINEERING, PERFORMANCE
& CONSTRUCTION DATA

INTAKE/DISCHARGE PIPE SIZE 2" (50mm) NPT(F)	CAPACITY 0 to 62 gallons per minute (0 to 235 liters per minute)	AIR VALVE No-lube, no-stall design.	SOLIDS-HANDLING Up to 1/4" (6.3mm)	HEADS UP TO 250 psi or 577 ft. of water (17 bar or 176 meters)
---	---	---	--	---

Air-powered diaphragm pump delivers discharge pressure, up to 250 psi maximum, equal to twice the inlet air pressure (2:1 ratio).

The pump is designed for filter press feed or similar applications where higher discharge pressures are required.

Some types are available with flap check valves for greater solids-handling capability. See Model SH2-M Data Sheet for specifics.



MATERIALS OF CONSTRUCTION

EH2-M Type 4	Suction/Discharge Flanges	Outer Chamber	Inner Chamber	Cylinder Body	Piston	Intermediate Housing	Diaphragm Rod	Valve Seat / O-ring Seal	Hard-ware	Inner Diaphragm Plate	Outer Diaphragm Plate	Diaphragm	Ball Valve	Cylinder Cap	Shipping Weight (lbs)
TN-4-I	CI	CI	CI	CPS	6063T6AL	356-T6AL	416SS	CS/B	PS	-	-	N	N	CI	172
TB-4-I	CI	CI	CI	CPS	6063T6AL	356-T6AL	416SS	CS/B	PS	-	-	B	B	CI	172
TI-4-I	CI	CI	CI	CPS	6063T6AL	356-T6AL	416SS	CS/T	PS	-	-	I	I	CI	172
TC-4-I	CI	CI	CI	CPS	6063T6AL	356-T6AL	416SS	CS/T	PS	-	-	V	T	CI	172
TV-4-I	CI	CI	CI	CPS	6063T6AL	356-T6AL	416SS	CS/T	PS	-	-	V	V	CI	172
TGN-4-I	CI	CI	CI	CPS	6063T6AL	356-T6AL	416SS	CS/T	PS	PS	CI	N/T	T	CI	172
TN-4-S	WR-S	WR-S	CI	CPS	6063T6AL	356-T6AL	416SS	SS/B	PS	-	-	N	N	CI	176
TB-4-S	WR-S	WR-S	CI	CPS	6063T6AL	356-T6AL	416SS	SS/B	PS	-	-	B	B	CI	176
TI-4-S	WR-S	WR-S	CI	CPS	6063T6AL	356-T6AL	416SS	SS/T	PS	-	-	I	I	CI	176
TC-4-S	WR-S	WR-S	CI	CPS	6063T6AL	356-T6AL	416SS	SS/T	PS	-	-	V	T	CI	176
TGN-4-S	WR-S	WR-S	CI	CPS	6063T6AL	356-T6AL	416SS	SS/T	PS	PS	WR-S	N/T	T	CI	176

Meanings of Abbreviations:

AL = Aluminum
PS = Plated Steel
SS = Stainless Steel

B = Nitrile
CI = Cast Iron
I = EPDM

V = FKM
N = Neoprene
T = PTFE

CS = Carbon Steel
CPS = Chrome Plated Steel

N/T = Neoprene Backup/
PTFE Overlay
WR-S = Warren Rupp Alloy Type 316SS

SANDPIPER® and PHOENIX® are registered tradenames of Warren Rupp, Inc.

WR-S Warren Rupp Alloy Type 316 Stainless Steel equal to or exceeding ASTM specification A743 CF-8M for corrosion resistant iron chromium, iron chromium nickel, and nickel based alloy castings for general applications. Commonly referred to as 316 Stainless Steel in the pump industry.

EH2-M

HIGH PRESSURE DUTY

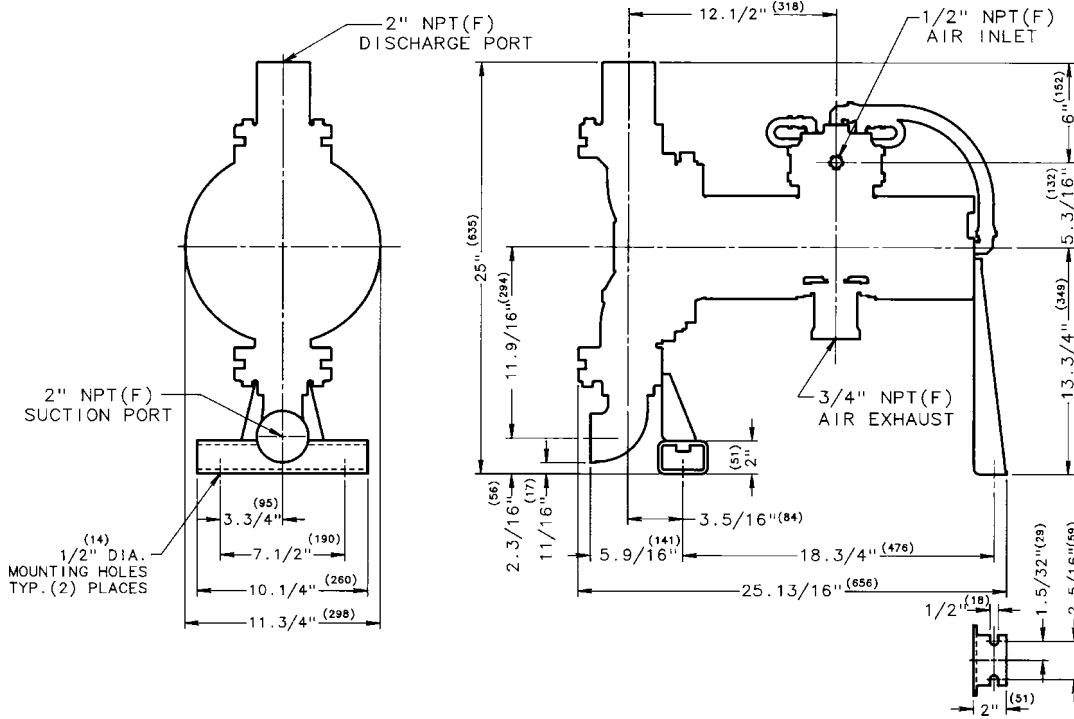
**Available
Parts Kits:**

Air End Kit:
No. 476-100-000

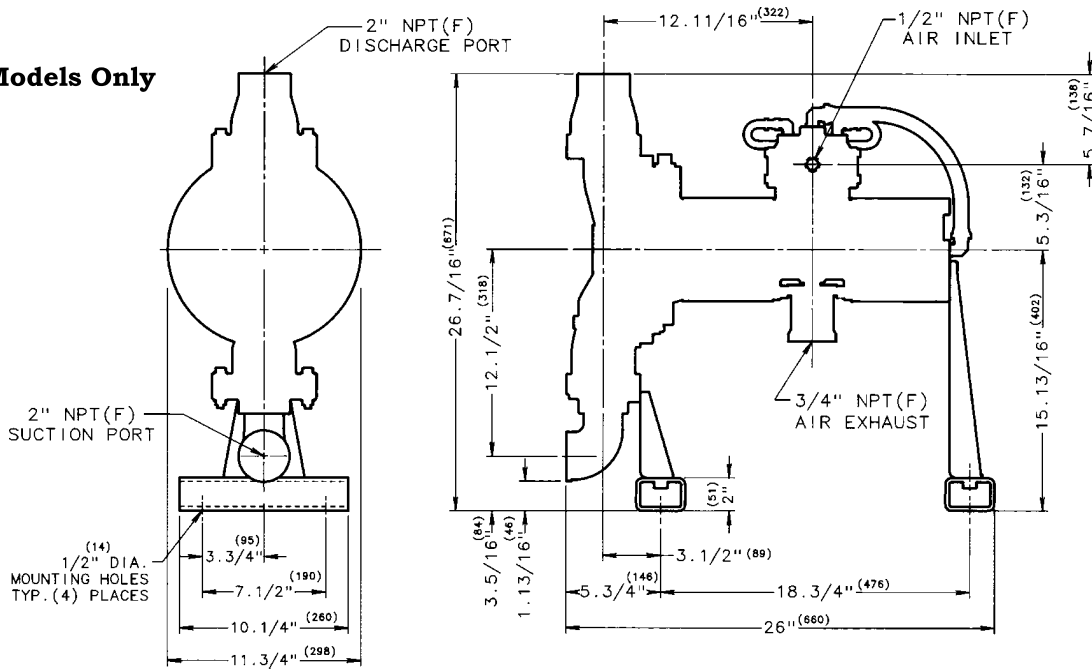
CI Wetted End Kits:
Nos. 476-048-360 476-048-633
476-048-364 476-048-363
476-048-365 476-048-635

WR-S Wetted End Kits:
Nos. 476-056-360 476-056-635
476-056-364 476-056-633
476-056-365

Dimensions are ± 1/8"
Figures in parenthesis = millimeters



WR-S Models Only



MHP2M NPT(F) SUCTION • 1/2" NPT(F) DISCHARGE • 1/2" NPT(F) AIR INLET PORT • 3/4" NPT(M) AIR EXHAUST PORT

Copyright© 2009 Warren Rupp, Inc. All rights reserved.

Specifications are subject to improvement without notice.

©Warren Rupp and SANDPIPER are registered trademarks of IDEX AODD, Inc.