

PLUNGER PROCESS METERING PUMPS

SERIES

L

POSITIVE RETURN - API 675



TRANSLATION OF ORIGINAL INSTRUCTIONS

ATTENTION: Industrial machinery not intended for use by non-professional operators. These instructions are intended for qualified personnel.

PUMP TYPE	LY	LYH	LK	LN	LP
MOTOR	UNEL-MEC	UNEL-MEC	UNEL-MEC	UNEL-MEC	UNEL-MEC



Doc. N°	UT 4411	Rev.	1	Lang.	ENG	1st Issue	14.12.09
Prepared	E. SERRAINO	Checked	V. D'ADDIO	Replace			-

Rev.	Revised sections	Checked	Date
1	1.2; 4.1; 6.2.4; 6.3.2; 6.7; 7.1; 7.3.8; 7.4; 7.8; 10.1; 12	S.C.	07/12

OPERATING MANUAL



An IDEX Water & Wastewater Business.



English

OBL JOB No.					
CUSTOMER					
CUSTOMER ORDER No.					
METERING PUMP TYPE					
ANNEXES					
ITEM/S					
SERIAL NUMBER/S					

INDEX

ENGLISH

GB

1. INTRODUCTION	4
1.1 RECEIVING INSPECTION	4
1.2 SUPPLY CONDITIONS.....	4
1.3 NOTES ON ELECTROMAGNETIC COMPATIBILITY.....	4
1.4 USE IN POTENTIALLY EXPLOSIVE AREAS.....	4
2. GENERAL INFORMATION.....	4
2.1 PERSONNEL RESPONSIBLE FOR MACHINE OPERATION.....	5
2.1.1 "Operator" personnel.....	5
2.1.2 "Mechanical Maintenance" personnel.....	5
2.1.3 "Electrical Maintenance" personnel.....	5
2.2 TESTING AND GUARANTEE.....	5
2.2.1 Testing.....	5
2.2.2 Guarantee	5
2.3 INSTRUCTIONS FOR REQUESTING SPARE PARTS.....	6
2.3.1 Spare parts.....	6
2.3.2 Changes and manufacturing of spare parts without approval.....	6
2.4 LIABILITY EXCLUSION	6
2.5 RESTRICTIONS REGARDING THIS DOCUMENT	6
3. SAFETY WARNINGS	6
3.1 SYMBOLS AND SUGGESTIONS IN THESE INSTRUCTIONS.....	7
3.2 DANGER.....	7
3.3 INDIVIDUAL PROTECTIVE EQUIPMENT.....	7
3.4 ADDITIONAL NOTE FOR ATEX PUMPS	8
3.5 SUITABILITY VERIFICATION FOR EFFECTIVE APPLICATION/USE.....	8
4. TRANSPORT, HANDLING AND STORAGE.....	8
4.1 TRANSPORT, LIFTING AND HANDLING.....	8
4.2 STORAGE CONDITIONS.....	8
4.3 DIMENSIONS AND WEIGHTS	8
5. DESCRIPTION	9
5.1 IDENTIFICATION NAMEPLATE	9
5.2 IDENTIFICATION CODE.....	9
5.3 AMBIENT AND DESIGN TEMPERATURE.....	10
5.4 WORKING PRINCIPLE.....	10
5.5 THE FLOW RATE.....	11
5.6 INTENDED USE.....	11
5.7 REASONABLY EXPECTED IMPROPER USE.....	12
5.8 PROHIBITED USE.....	12
5.9 NOISE.....	12
5.10 VIBRATIONS	12
5.11 POWERING THE ELECTRIC MOTOR WITH INVERTER.....	12
5.12 TECHNICAL DATA	13
5.12.1 Pumps type LY, LYH	13
5.12.2 Pumps type LK.....	13
5.12.3 Pumps type LN.....	13
5.12.4 Pumps type LP.....	13
5.13 FLOW RATE ADJUSTMENT SYSTEM	13
5.13.1 Manual adjustment via graduate knob and linear vernier	13
5.13.2 Manual adjustment via handwheel with gravitational dial	13
5.13.3 Automatic adjustment by means of actuator	13
6. INSTALLATION AND COMMISSIONING	14
6.1 INSTRUCTIONS FOR PROPER INSTALLATION.....	14
6.1.1 Pump and pipeline fixing.....	14
6.1.2 Connecting to plant pipelines.....	14
6.1.3 Connecting the motor to the mains	15
6.2 SUCTION PIPELINE	15
6.2.1 Suction pipeline path	16
6.2.2 Suction pipeline for viscous liquids	17
6.2.3 Filter on suction pipeline	18
6.2.4 Calibration pot	19
6.3 DISCHARGE PIPELINE	19
6.3.1 External safety valve	19



- 6.3.2 Pulsation dampener 20
- 6.3.3 Pressure gauge 21
- 6.4 EXAMPLE OF PLANT FOR METERING PUMPS 21
- 6.5 ELECTRIC MOTOR INSTALLATION..... 22
 - 6.5.1 Flexible joint coupling 22
 - 6.5.2 Check and change the direction of rotation 22
- 6.6 DESIGN DATA CHECK..... 22
 - 6.6.1 Environmental conditions 22
 - 6.6.2 Installation conditions 22
- 6.7 START-UP 23
 - 6.7.1 Checks before start-up..... 23
 - 6.7.2 Checks during operation 23
 - 6.7.3 Abnormal conditions 24
 - 6.7.4 Prolonged stops 24
- 7. ROUTINE MAINTENANCE 24**
 - 7.1 OPERATING PRECAUTIONS 24
 - 7.2 CONSULTING TECHNICAL DOCUMENTATION 24
 - 7.3 PERIODIC OPERATIONS 25
 - 7.3.1 Checks of normal operation 25
 - 7.3.2 Checks of electrical connections..... 25
 - 7.3.3 Checks of pump connection to plant pipeline 25
 - 7.3.4 General and surface cleaning 25
 - 7.3.5 Protection against corrosion 25
 - 7.3.6 Verification of thermal protections 25
 - 7.3.7 Painting check (if foreseen)..... 25
 - 7.3.8 Lubricant oil check..... 25
 - 7.4 RECOMMENDED SPARE PARTS..... 25
 - 7.4.1 Pumps with PLASTIC material pumphead 26
 - 7.4.2 Pumps with METALLIC material pumphead 26
 - 7.5 DISMANTLING, REPLACEMENT AND REASSEMBLY 26
 - 7.5.1 Personnel qualifications - Customer service..... 26
 - 7.5.2 Disconnecting electrical connections..... 26
 - 7.6 PLUNGER PACKING CHECK AND ADJUSTMENT 26
 - 7.6.1 Pumpheads WITH gland nut..... 26
 - 7.6.2 Pumpheads WITHOUT gland nut 27
 - 7.7 VALVE VERIFY AND/OR REPLACEMENT 27
 - 7.7.1 Pumps type LY, LYH (plungers 6-40)..... 27
 - 7.7.2 Pumps type LY, LYH (plungers 50-65-75) and pumps type LK, LN, LP 28
 - 7.7.3 Pumps with TS version pumphead 30
 - 7.8 LUBRICANT OIL CHANGE..... 30
- 8. SPECIAL MAINTENANCE 31**
 - 8.1 TECHNICAL DOCUMENTATION..... 31
 - 8.2 PUMPHEAD MAINTENANCE..... 31
 - 8.2.1 Pumphead dismantling..... 32
 - 8.2.2 Plunger packing verify and/or replacement 32
 - 8.2.3 Plunger verify and/or replacement 32
 - 8.2.4 Pumphead tightening torque values 33
 - 8.2.5 Pumps with plastic material pumphead: Recommendations 34
 - 8.3 LN, LP PUMPS TYPE: KNOB ADJUSTMENT FRICTION SETTING 34
 - 8.3.1 Increase or reduce the adjustment friction..... 34
 - 8.4 BEARINGS REPLACEMENT 35
 - 8.4.1 Reassembling..... 35
- 9. OTHER INFORMATION 35**
 - 9.1 FAULTS AND OPERATING PROBLEMS 35
 - 9.1.1 Flowrate lower than expected..... 35
 - 9.1.2 Flow rate irregular or higher than expected 35
 - 9.1.3 The plunger moves irregularly while pump is running 35
 - 9.1.4 Overheating of pump body and/or motor..... 35
 - 9.2 DISCONNECTION FROM THE PLANT AND SENDING TO OBL FOR MAINTENANCE 36
 - 9.3 STORAGE FOR LONG PERIODS 36
 - 9.4 DISPOSAL AND DEMOLITION..... 36
- 10. MANDATORY INSTRUCTION FOR RETURNING GOOD IN OBL 36**
 - 10.1 MANDATORY DIRECTIONS FOR SENDER 36
 - 10.2 CLEANING OF EQUIPMENT 37

10.3	GOODS REJECTED TO SENDER	37
11.	OVERALL AND SECTIONAL DRAWINGS.....	37
12.	CE CONFORMITY DECLARATION	37

1. INTRODUCTION

The machines covered by the following "instructions" are **intended for operation in industrial areas** and therefore cannot be treated as products for retail (consumer).

GB



This document therefore contains information to be used by qualified personnel only.

They must also be integrated by laws and technical regulations in force and do not replace any plant regulation provisions or any additional requirements, either legislative or non, which have been issued for safety purposes.

1.1 RECEIVING INSPECTION

All material relative to supply is delivered to the shipper in perfect condition after thorough final testing and packaging (where applicable). Inspect goods immediately upon receipt and check that:

- the goods received correspond to the order made
- packaging (where applicable) has not undergone damage due to transport or has not been tampered with

If the packaging is damaged or tampered with, immediately check (quantity, quality and form):

- actual conditions of goods
- presence of all accessories or spare parts



ATTENTION: Should anomalies or damage be found IMMEDIATELY ISSUE A COMPLAINT WITH THE COURIER and inform OBL as well. We suggest contacting OBL customer support before commissioning.

1.2 SUPPLY CONDITIONS

All the positive return L series plunger pumps are supplied as follows:

- ready to be installed as specified in the job order
- pre-tested in accordance with internal specifications
- painted (where applicable)
- **completed** with lubricant oil (unless specifically requested)

1.3 NOTES ON ELECTROMAGNETIC COMPATIBILITY

The L series plunger pumps, if installed properly and **with direct power supply from the mains**, comply with emission limits set by regulations relating to electromagnetic compatibility (EMC - General requirements for industrial environments).



Pumps for powering by means of inverters or other electronic equipment must be especially ordered for said use. All checks and any necessary measures to comply with emission limits set by regulations shall be at charge and responsibility of the end user.

1.4 USE IN POTENTIALLY EXPLOSIVE AREAS



L series pumps in STANDARD version are not suitable for use in potentially explosive areas !



WARNING: L series pumps for hazardous areas must be especially ordered for said use ! In potentially explosive atmospheres must be used only ATEX execution pumps with a flameproof motor !

All **pumps in ATEX execution** differ from **NON ATEX** (or standard execution) pumps in that they are fitted with a second identification plate with specific indication of the data required by the directive.

2. GENERAL INFORMATION

The purpose of these instructions is to refer information deemed necessary for understanding as much as possible about and facilitating the installation, commissioning, use and maintenance of **plunger metering pumps L series with positive return mechanism**, more briefly called **L series pumps**.

Although the family of **L series plunger pumps** include pumps **LY** and **LYH, LK, LN** and **LP**; each type may have several variants (see "Identifying code" and "Technical data"), the technical information contained in this instructions manual **are appropriate and equally applicable** (except where specifically stated) **for any pump whose identifying code start with the letter "L"**.

OBL reserves the right to modify the characteristics of its products at any time to apply the latest technological innovations. The information contained in this document is therefore subject to change without notice.

2.1 PERSONNEL RESPONSIBLE FOR MACHINE OPERATION

Personnel, before operating the machine, must be professionally trained (preferably an employee of the sector) and must have read and understood the instructions contained in this manual.

The employer must instruct all staff on the risks of accidents and on devices and clothing to be used for individual safety, on the risks arising from noise emission and on general provisions laid down by European Directives and legislation in the country of machine installation.

2.1.1 "Operator" personnel

The term "Operator" is intended as personnel that carry out the following tasks on the machine:

- performs the functions needed for operation
- uses the adjustment and operating commands
- performs simple actions related to operation
- performs any cleaning and daily inspection operations
- reports defects or machine malfunctioning



The operator must work on the machine while protective guards are mounted and safety devices active

2.1.2 "Mechanical Maintenance" personnel

Intended as personnel that operates on the machine in all operating conditions and at all protection levels.

Performs all types of repairs or mechanical adjustments but does not work on electrical installations.

2.1.3 "Electrical Maintenance" personnel

Intended as personnel that operates on the machine in all operating conditions and at all protection levels.

Performs all types of repairs or electrical installations adjustments, even in the presence of voltage.

2.2 TESTING AND GUARANTEE

2.2.1 Testing

Each OBL metering pump is a reliable quality product, subject to careful final inspection to ensure their proper functioning and found compliance with the specified performance. The final test results, if specifically requested by contract, are registered in special forms and made available to the Customer. Pump which successfully pass the final tests is then labelled with a green sticker applied on the product by the testing supervisor.

2.2.2 Guarantee

Metering pumps, as with all other OBL products, are guaranteed for a period of twelve (12) months of operation but in any case no longer than eighteen (18) months from the date of delivery (document of transport refers).

The guarantee covers the replacement, free of charge and ex-factory in Segrate (MILANO) ITALY, of any component found to be defective in material or processing by the OBL technical office.

The guarantee IS NOT VALID in the following cases:

- components subject to normal wear (e.g. gaskets, seals, O-rings);
- if installation and/or use do not meet the technical conditions of sale and instructions;
- if the pump has been tampered with or disassembled;
- if the pump has been sold to third parties.



ATTENTION: Always avoid disassemble or attempted repair of products still under guarantee, as doing so will void the guarantee. Always contact OBL customer service for information.

In the case of a guarantee claim, the pump must be sent postage paid to the OBL factory in Segrate (MILANO) ITALY, accompanied by a description of the anomaly complained.

For safety reasons BEFORE shipping, the sender **MUST ALWAYS** contact OBL customer service (Tel. +39-02-26919.1, info@obl.it) and operate as indicated in point "Instructions for returning goods in OBL".

2.3 INSTRUCTIONS FOR REQUESTING SPARE PARTS

Find and study the sectional drawing of the pump in use, if necessary contact OBL to obtain a copy. Analyze the conditions and identify the damaged components. Using the nomenclature of the sectional drawing, make a list of the parts those components (mention the sectional drawing number and the component position code) and send to the OBL Sales Office, always specifying:

- type of metering pump (complete model number)
- metering pump serial number
- OBL job n° (as an alternative to the serial number)



N.B.: These informations can be found on metering pump nameplate.

2.3.1 *Spare parts*

Standard components (screws, nuts, ball bearings, etc...) are also available directly from specialised dealers. **Replace any other components with original OBL spare parts.**

2.3.2 *Changes and manufacturing of spare parts without approval*



Modifications ARE NOT allowed. Original OBL spares and accessories are to be used in order to assure the conformity with safety rules. OBL declines any responsibility in case of use of non-original parts and warranty will be no longer valid.

2.4 LIABILITY EXCLUSION

OBL is unable to monitor the observance of the instructions given in this manual, nor verify the actual working conditions and installation of the equipment, the correct operation, the using and maintenance of the machines and accessories.

An incorrect installation, or misuse of the machine, may cause serious damage and may pose a danger to persons or property. Any anomalies must be reported to the maintenance supervisor. The user is not authorized to tamper with the machine for any reason.



Attempts to disassemble, modify or tamper in general by unauthorized personnel will void the guarantee and will release OBL from any liability for damage caused to persons or property resulting from such actions.

OBL is considered released from any liability in the following cases:

- improper installation;
- improper use of the machine by non-professional or inadequately trained operators;
- use not in compliance with regulations in the Country of use;
- lack of maintenance or improperly performed;
- use of non-original spare parts or incorrect parts for the model in question;
- total or partial failure to observe the instructions;
- exceptional environmental events.

2.5 RESTRICTIONS REGARDING THIS DOCUMENT

This document is property of OBL S.r.l. together with the technical information contained in it. Modification, reproduction or copying (in part or whole) without written permission is prohibited. Violations will be prosecuted by law.

3. SAFETY WARNINGS



METERING PUMPS ARE INDUSTRIAL MACHINERY NOT INTENDED FOR USE BY NON-PROFESSIONAL OPERATORS. THESE INSTRUCTIONS ARE INTENDED FOR QUALIFIED PERSONNEL.



ATTENTION: Plunger pumps are volumetric pumps that always require a safety valve installed externally on the discharge pipeline (see "External safety valve") to protect against any excess of pressure. The working pressure must NEVER exceed the maximum allowable pressure indicated on the nameplate, even in case of opening (discharge) of external safety valve.



FULLY AND CAREFULLY study these instructions before installing and starting the pump. Failure to respect safety recommendations can damage the machine or compromise its operation.

GB

For a correct handling and maintenance strictly follow present information. It is of key importance that these are read by the installer and the maintenance supervisor. This document should be stored near the machine in a safe, dry place, and in any case always made easily and readily available for future reference.

Keep always the instructions and warnings presents directly on the equipment in good and readable condition (replace if necessary):

- Equipment nameplate
- Arrow indicating the motor direction of rotation
- Warning and service information stickers



3.1 **SYMBOLS AND SUGGESTIONS IN THESE INSTRUCTIONS**



This symbol indicates important information for preventing faults and/or damage to equipment or personnel.



This symbol indicates danger due to the presence of electricity.



This symbol indicates a danger that may cause an explosion.



This symbol represents the metering pump schematically.

3.2 **DANGER**

Metering pumps are machines with dangerous parts. Therefore:

- **improper use or tampering,**
- **removal of guards** or disconnection of protective devices,
- **inadequate inspection or maintenance** can cause serious damage to persons or property.

In particular, personnel must be informed of danger due to:



- **live parts**



- **rotating or moving parts**



- **handled fluid under pressure and/or corrosive**



- **hot surfaces**

The safety supervisor must ensure and guarantee that:

- the machine is handled, installed, commissioned, inspected, maintained and repaired **by qualified personnel only**, that must have:
 - specific technical training and experience
 - knowledge of technical regulations and applicable laws
 - knowledge of general, national, local and plant safety requirements
 - ability to recognise and avoid all possible danger.

Failure to follow these instructions, negligence or an incorrect or improper use of the machine by unauthorised and unqualified personnel may cause risk to persons or property, resulting in cancellation of the guarantee by OBL.



The safety of these machines can be compromised if they are used improperly or tampered with.

Metering pumps must be used only if they are in perfect technical condition, also considering safety aspects and danger. The smooth operation of these machines, their durability and operating efficiency depend on the observance of these details. We declines any responsibility for bodily injury or property damage caused by improper use of our equipment.

3.3 **INDIVIDUAL PROTECTIVE EQUIPMENT**

Any operation on the machine must be undertaken in compliance with safety regulations and safety warnings.

The safety supervisor must ensure compliance with applicable laws and safety regulations enacted for safety, and monitor that all personnel are equipped and always use appropriate individual protective equipment.



Appropriate individual safety devices must always be used to ensure and safeguard the personal safety of personnel, who must also be properly trained and professionally qualified.

3.4 **ADDITIONAL NOTE FOR ATEX PUMPS**

The **L Series plunger metering pumps in ATEX execution** comply with the rules concerning equipment and protective systems for use in potentially explosive atmospheres in accordance with European Directive 94/9/CE dated 23/03/94, known as ATEX directives.

- They meet the requirements of Group II Category 2, making them suitable for use in Zone 1/21 (No danger as a result of **predictable failure**)
- Consequently they are suitable for use in Zone 2/22, resulting classified in Group II Category 3 (No danger **during normal operation**)

GB



WARNING: L series pumps in ATEX execution are not suitable for use in zone 0/20 !



NOTE: In case of L series pumps in ATEX execution, in addition to these instructions must be followed also the warnings contained in "Metering pump safety instructions for potentially explosive atmospheres" (addendum to this operating manual)

3.5 **SUITABILITY VERIFICATION FOR EFFECTIVE APPLICATION/USE**

All pumps are supplied in compliance with requirements established under technical/sales negotiation and defined at time of order.



NOTE: The customer (end user and/or installer) is responsible for checking whether or not the pump is really suitable for the application/use on the plant, this before the installation and subsequent machine start-up.



For ATEX pumps the customer/end user is responsible **to determine the effectiveness of the pump to be used in a given plant**, after having analysed the characteristics of danger existing in the installation location and in compliance with current laws and those issued for safety purposes.

4. **TRANSPORT, HANDLING AND STORAGE**

4.1 **TRANSPORT, LIFTING AND HANDLING**



Unless otherwise agreed, the pumps are fixed and packaged in horizontal containers. Make sure that they cannot accidentally tip over during transport or handling and that they are always placed on a flat surface.

Verify that the device used (transpallets, forklift, hoist, etc...) is appropriate for the size and weight of the package/equipment and that any lifting lugs on the machine are screwed down. In environments with temperatures below -20 °C, lifting rings must be used with caution because they could break in low temperatures, causing damage to persons or equipment.



Lifting rings on the pump are sized to bear one-headed pump weight, therefore DO NOT use them to lift multi-headed pumps. For those operations sling base-plate and use lifting ropes. Before removing ropes fix pumps safely to the base. Pay attention, tilting danger !

4.2 **STORAGE CONDITIONS**

If not used immediately, the pumps should be stored with suitable covers in a temperate, dry, clean, vibration-free and weatherproof environment. Protect from soil moisture by placing the unit on shelves or wooden pallets. If the temperature is below 0 °C, ensure that it does not go lower than -20 °C.

If not specifically highlighted on the package, do not stack packaging, to prevent damage to the machine and to avoid tipping over or falling that can create accidents. Ensure that access of unauthorised persons is not allowed in the storage location and that the floor or shelf can support the weight of the machinery or equipment stored.

Before being put pumps into operation, after being stored for a long period, bring them to a temperate environment in order to stabilise the temperature. In case of storage in extreme conditions, e.g. in sub-tropical or desert climates, take additional safety measures.



Particular storage conditions should be previously reported, in order to provide a suitable packaging.

4.3 **DIMENSIONS AND WEIGHTS**

Check the dimensions and overall gross weight of the package before handling or lifting.

Unless otherwise agreed, the packaging bears such information (dimensions are expressed in millimetres and weight in kilograms).

5. DESCRIPTION

L series metering pumps are all with plunger pumphead and positive return mechanism; meaning that plunger is constantly connected to the pump mechanism during both suction and discharge phases. They fall into the family of controlled volume alternative displacement pumps.

The crank is driven by a constant speed electric motor (1500 rpm) and the number of cycles of the plunger is determined by the endless screw – worm wheel internal reduction gear in an oil bath.

5.1 IDENTIFICATION NAMEPLATE

Each pump carries a nameplate for identification. Below is a representation of an example and its position:

Pump identification nameplate

Nameplate position on the pump

<p>1 = Pump identification code</p> <p>2 = OBL Job Number (Order Confirmation)</p> <p>3 = Pump serial number</p> <p>4 = Maximum flow rate (l/h with adjustment at 100%)</p>	<p>5 = Maximum working pressure (bar) (see Note 1)</p> <p>6 = Year of construction</p> <p>7 = Item (where applicable)</p>
---	---

Note 1: NEVER exceed this pressure value, even in case of opening (discharge) of external safety valve !

Ensure that the machinery nameplate, the warning and service adhesives are always present and in good, legible conditions. Otherwise, provide to replace them.

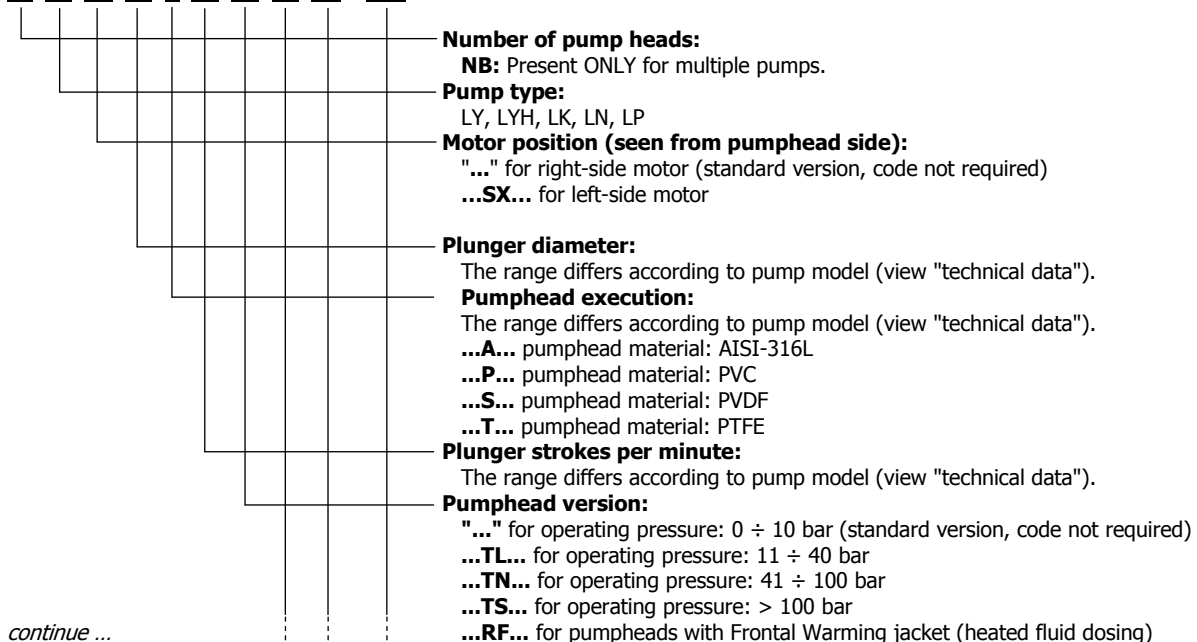


Removal of the nameplate or alteration of data contained therein is NOT permitted for any reason.

5.2 IDENTIFICATION CODE

The **positive return L series plunger metering pumps** are identified by a code described as follows:

.. / LY SX 25 A 70 RF FA GS - M...



continue ...

... follows

...**TLL**... for pumpheads with Plunger packing washing
 ...**TLF**... for pumpheads with Flushing (Thermal barrier for heated fluid dosing)

Connections type:

The range differs according to pump model (view "technical data").

...**F**... UNI-DIN flanged connections
 ...**FA**... ANSI flanged connections
 ...**RE**... DIN-11851 food industry connections

Adjustment type:

"..." graduate knob and vernier adjustment (standard version, no code required)
 ...**G**... gravitational dial adjustment
 ...**GS**... gravitational clock with glycerin adjustment
 ...**W**... pneumatic actuator adjustment
 ...**WA**... pneumatic actuator adjustment with manual adjustment
 ...**Z**... electric actuator adjustment

Motor informations:

...**M**... motors supplied by OBL and assembled on the pump
 ...**MC** motors supplied by the customer to OBL to be assembled on the pump
 ...**MO** pump supplied to the customer WITHOUT a motor.

In case of special execution machines the constructive variations may differ from the above mentioned codes.

5.3 AMBIENT AND DESIGN TEMPERATURE

Unless differently agreed with the customer, the ambient design temperature range "Ta" of L series pump can be:

-10°C ≤ Ta ≤ +40°C: Standard temperature range for all pump types

-10°C ≤ Ta ≤ +60°C: Standard temperature range for only some pump types

The table below illustrates the maximum allowed temperature of pumped fluid based on pump head material.

	"STANDARD" pumpheads characteristics					
	METALLIC material		PLASTIC material pumphead			
	ACV (1)	OTHER (2)	PVC (P)	PVDF (S)	PTFE (T)	PP (PP)
HANDLED FLUID Max. temperature	+40 °C	+90 °C	+40 °C	+60 °C	+30 °C	+40 °C

(1) **Only for ACV and ACV-F execution:** Limits imposed by the plunger gasket characteristics

(2) For all other pumpheads in METALLIC material (ACV and ACV-F execution not included)

Only the metallic material pumpheads can be made as RF, TLL or TLF version (additional code). The table below illustrates the maximum allowed temperature of handled fluid and warming fluid (only for RF version pumpheads).

	"RF" version		"TLL" version	"TLF" version
	HANDLED FLUID Max. temperature	WARMING FLUID Max. temperature	HANDLED FLUID Max. temperature	HANDLED FLUID Max. temperature
METALLIC material pumphead	≤+90 °C	+130 °C	+130 °C	+280 °C



NOTE: During periodic inspection always check that temperatures respect limits here indicated !

The values contained in the tables above are equally applicable to each of the allowable ambient temperatures "Ta".

5.4 WORKING PRINCIPLE

L series plunger pumps are all with positive return mechanism, coupled to a pumphead made of material (plastic or metallic) chemically compatible with the fluid to be handled. The mechanism body incorporates the transmission reduction gear, the plunger thrust system and the flow rate adjustment system.

The pump sectional drawing is usually attached to the present operating manual. In case of it is not attached or missing, see the point "Pumphead dismantling" to consult a pumphead sectional drawing or at least contact OBL customer service to receive an updated copy. They are normally powered by an electric motor through a reduction gear type "endless screw and worm wheel" joined to a duct mechanism. The latter consists of a connecting rod system with variable eccentricity which determines the axial reciprocated movement of the plunger; both the mechanisms are in oil bath.

When moving, the connecting rod generates both pump phases. During the discharge phase the connecting rod forces the plunger to move forward, putting pressure on the fluid in the pumphead which subsequently moves to the discharge pipeline. During the suction phase the connecting rod pulls the plunger back which, creating a vacuum, causes the entrance of fluid in the pumphead.

The check valve on the pumphead controls input and output of fluid from the head, determining flow direction.

The flow rate adjustment system controls the volume of fluid pumped by varying the connecting rod eccentricity and, therefore, plunger return stroke length. Standard adjustment is manual with graduate knob and linear vernier; alternatively (upon request), an automatic adjustment system can be applied (see "Flow rate adjustment system").

L series pumps fall into the family of alternative volumetric pumps characterized by adjustable displacement.

The plunger pumps are volumetric pumps that always require a safety valve installed externally on the discharge pipeline (see "External safety valve") to protection against any excess of pressure. The operating pressure must NEVER exceed the maximum working pressure indicated on nameplate, even in case of opening (discharge) of external safety valve.

The construction material of external components ensures high impact protection. With the exception of pumphead, the external pump surfaces are treated to ensure high protection against corrosion.

Metal parts are assembled to ensure correct and proper grounding.

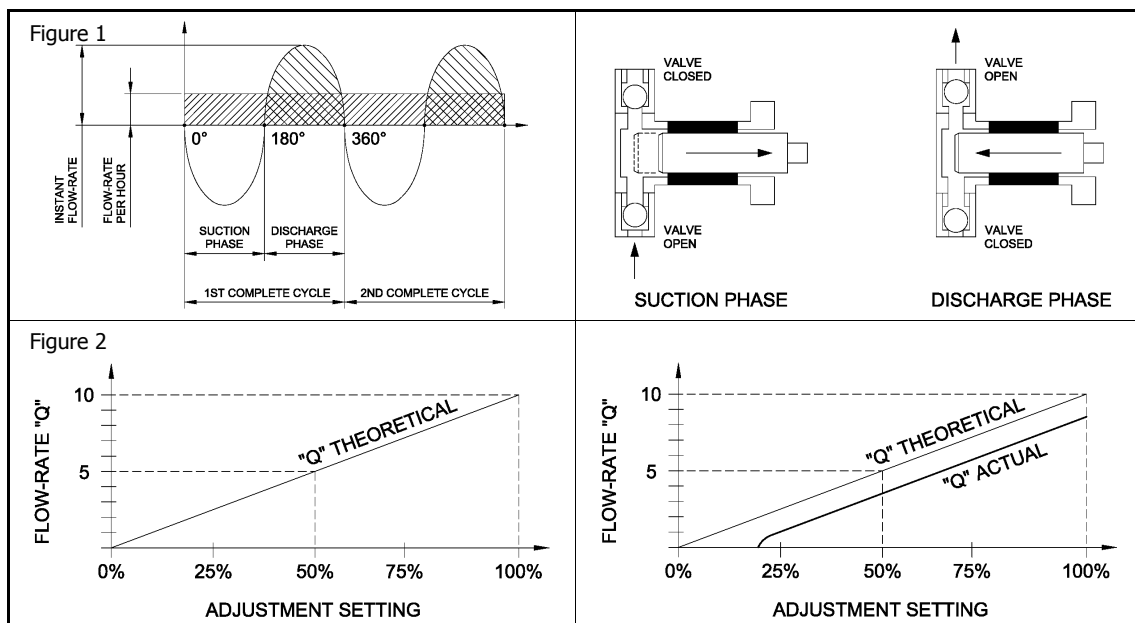
Multiple pumps are obtained by horizontal alignment of individual reduction gear, in which the endless screw shafts are fitted together by means of a flexible coupling. Each reduction gear has its own frequency of plunger strokes per minute, depending on the own worm wheel transmission ratio.

5.5 THE FLOW RATE

L series pumps flow rate is not continuous but pulsating, generated by the alternating movement of the plunger and the action of the check valve on the pumphead which determine flow direction (see figure 1). Pump flow rate is adjustable and increases or decreases in direct proportion to the variation of the plunger stroke.

The theoretical flow rate corresponds exactly to the volume described by the movement of the plunger. The graphic representation of its behaviour is a straight line whose course is proportional to the adjustment system setting.

The actual flow rate is inevitably lower than the theoretical flow rate, due to the volumetric efficiency of the pump. It varies depending on the type and size of the pump, the nature and viscosity of the liquid to be pumped, working pressure, etc. (see figure 2).



5.6 INTENDED USE

L series positive return plunger pumps are destined for dosing of non-flammable liquid fluids (acids, alkaline, solvents, etc.) at ambient temperature or heated (see "Ambient and design temperature"), suitable for continuous service (24/24 hours of operation).

They can be used for the following applications:

- pharmaceutical industries, food and agribusiness industries;
- water and wastewater treatment;
- in paper mills, on paper production lines;
- detergents production, CIP plants, water treatment plants.



Any other use is considered "IMPROPER USE" and is not allowed. OBL declines all responsibility for any damage to persons or property and any kind of machine guarantee shall be considered void.

5.7 **REASONABLY EXPECTED IMPROPER USE**

It is improper to use the L series pumps as follows:

- without an external safety valve immediately after discharge connection and therefore before any accessory
- for dosing products differing from those established during technical/sales negotiation and defined at time of order
- in a corrosive and stagnant atmosphere and closed in a poorly-ventilated location
- dosing in pressure without a pressure gauge installed on the discharge pipeline (see "Discharge pipeline - Pressure gauge")
- powered by means of an inverter or other electronic equipment unless explicitly ordered for this use
- with a motor faster than the original one (different polarity)
- in potentially explosive areas unless explicitly ordered for this use



NOTE: It is the responsibility of the customer to verify that the pump is suitable for application/use before installation and start-up. In case of doubt, do not improvise but contact OBL customer service.

5.8 **PROHIBITED USE**

It is prohibited to use the L series pumps as follows:

- in mining plants (underground);
- immersed in water (as submersible pumps)



IS PROHIBITED use the pumps without protective covers or with safety devices tampered with or damaged



L series pumps in STANDARD version are not suitable for use in potentially explosive areas !



ATTENTION: L series pumps in ATEX execution are not suitable for use in zone 0/20 !

5.9 **NOISE**

The table below shows the average noise level (lp noise pressure level) emitted by L series spring return pumps, used within the limits of use and installed in accordance with the instructions contained in the present operating manual.

These average values were detected on the prototype at a distance of 1 metre from the surface of the machine, at a height of 1,6 meters from the working surface and weighted according to curve A.

METALLIC MATERIAL PUMPHEAD		PLASTIC MATERIAL PUMPHEAD	
Pump max capacity (Qmax)	Noise pressure level (lp)	Pump max capacity (Qmax)	Noise pressure level (lp)
Qmax < 200 l/h	< 65 dB(A)	Qmax < 300 l/h	< 65 dB(A)
200 l/h < Qmax < 400 l/h	< 68 dB(A)	300 l/h < Qmax < 600 l/h	< 68 dB(A)
400 l/h < Qmax < 600 l/h	< 70 dB(A)	600 l/h < Qmax < 1000 l/h	< 70 dB(A)
600 l/h < Qmax < 1000 l/h	< 73 dB(A)	1000 l/h < Qmax < 1500 l/h	< 73 dB(A)
1000 l/h < Qmax < 1500 l/h	< 75 dB(A)	1500 l/h < Qmax < 2000 l/h	< 75 dB(A)
Qmax > 1500 l/h	< 78 dB(A)	Qmax > 2000 l/h	< 78 dB(A)

The employer must implement in the workplace, appropriate technical measures to minimise the risks arising from daily noise exposure and as much as is necessary to ensure and safeguard the health of personnel in the working environment.

5.10 **VIBRATIONS**

L series pumps do not fall into the category of direct human contact machines. Vibrations produced are not significant when pumps are installed in accordance with these instructions. They are therefore less than 2,5 m/s² of acceleration and are not such as to cause danger situations. If these situations should arise, stop the machine immediately and call the maintenance supervisor.

5.11 **POWERING THE ELECTRIC MOTOR WITH INVERTER**



The pumps must be especially ordered for powering by means of inverter. Otherwise the end user, before their installation, must contact OBL to define new limits of use (Hz, pressure and flow rate) that will be guaranteed only after a new nameplates fixed to the pump.

For a correct use of the pump, the user must comply with the power frequency range allowed by OBL, defined and including from 30Hz to 80Hz. Moreover, IT MUST NOT EXCEED the max operating pressure indicated on the pump nameplate. This value is downgraded and takes into account the maximum operating regime at maximum allowable power frequency (80Hz).

User must also comply with any additional instructions provided by the inverter manufacturer. Solutions for meeting system electromagnetic compatibility (EMC) requirements are the responsibility of the installer.

5.12 TECHNICAL DATA

5.12.1 Pumps type LY, LYH

The full range of variables is shown below:

Plunger diameter:	6, 8, 10, 15, 20, 25, 30, 40, 50, 65, 75
Pumphead execution:	...A, ...P, ...PP, ...S, ...T, ...H, ...TI, ...SAF, ...LOY, ...ALL, ...HV, ...AC, ...ACV, ...ACV-F, ...ADE
Plunger strokes per minute:	25, 36, 50, 70, 95, 100, 118
Connections type:	"..." for threaded connections (STANDARD version, no code required), F, FA, RE

5.12.2 Pumps type LK

The full range of variables is shown below:

Plunger diameter:	10, 15, 20, 25, 30, 40, 50, 65, 80, 100
Pumphead execution:	...A, ...P, ...PP, ...S, ...T, ...H, ...TI, ...SAF, ...LOY, ...ALL, ...HV, ...AC, ...ACV, ...ACV-F, ...ADE
Plunger strokes per minute:	25, 30, 42, 51, 60, 82, 102, 123
Connections type:	"..." for UNI-DN flanged connections (STANDARD version, no code required), FA, RE

5.12.3 Pumps type LN

The full range of variables is shown below:

Plunger diameter:	10, 15, 20, 25, 30, 40, 50, 65, 80, 100, 120, 135
Pumphead execution:	...A, ...P, ...PP, ...S, ...T, ...H, ...TI, ...SAF, ...LOY, ...ALL, ...HV, ...AC, ...ACV, ...ACV-F, ...ADE
Plunger strokes per minute:	40, 47, 56, 68, 80, 96, 120
Connections type:	"..." for UNI-DN flanged connections (STANDARD version, no code required), FA, RE

5.12.4 Pumps type LP

The full range of variables is shown below:

Plunger diameter:	20, 25, 30, 40, 50, 65, 80, 100, 120, 135, 158, 160
Pumphead execution:	...A, ...P, ...PP, ...S, ...T, ...H, ...TI, ...SAF, ...LOY, ...ALL, ...HV, ...AC, ...ACV, ...ACV-F, ...ADE
Plunger strokes per minute:	40, 47, 56, 68, 82, 97, 104, 120, 150
Connections type:	"..." for UNI-DN flanged connections (STANDARD version, no code required), FA, RE

5.13 FLOW RATE ADJUSTMENT SYSTEM

Flow rate adjustment is continuous and regular and can be carried out either with the pump running or at rest. Anyhow the action it is easier when pump is running, especially in case of large diameter plunger pumps.

5.13.1 Manual adjustment via graduate knob and linear vernier

Standard version provided when it is not specifically requested a particular adjustment system.

The graduated knob, turning on a fixed vernier, runs on a linear scale sub-divided from 0 to 10. Zero (0) on the knob lower edge is a reference index for setting the adjustment system to a desired flow rate percentage value.



5.13.2 Manual adjustment via handwheel with gravitational dial

Manual version as an alternative to the "base" version (supplied upon request).

Easy and quick manual adjustment combined with precise, clear and immediate reading. The dial has a percentage scale (from 0 to 100) and is equipped with two pointers. Each turn of the handwheel corresponds to an adjustment change of 1% (millesimal reading).



ATTENTION: Adjustment via handwheel with gravitational dial indicator can be decalibrated during transport or handling due to sudden accelerations, shock or capsizing.

Proceed as follows to reset decalibrated adjustment:

- start up the pump and extract the gravitational dial from the handwheel by means of a screwdriver;
- turn the handwheel counter-clockwise, stopping when the plunger remains STOPPED (despite the motor running);
- turn the gravitational dial by hands bringing the pointers to 0%, then reposition the dial in the handwheel.

5.13.3 Automatic adjustment by means of actuator

The adjustment system can be automated (upon request) via the application of an electric or pneumatic actuator.

For information on actuator operation consult its specific operating manual.

6. INSTALLATION AND COMMISSIONING

6.1 INSTRUCTIONS FOR PROPER INSTALLATION

Because of the pumphead check valves work by gravity, it is essential that the housing valve axis must be perfectly vertical for proper pump operation (also to prevent abnormal wear of the valves).

GB

Provide also for installation of the following equipment:

- **a pressure gauge** next the pump. It must be installed before any other accessory installed on the discharge pipeline. Allows to control the actual pump operating pressure (see "Discharge pipeline - Pressure gauge")
- **an external safety valve** immediately after the discharge connection and, in any case, before the ON-OFF valve. Protects the pump and the plant from any accidents caused by excessive pressure (see "Discharge pipeline - External safety valve")
- **a suitable thermal overload device**. It protects motor from overloads and/or short circuits



ATTENTION: Plunger pumps are volumetric pumps that always require a safety valve installed externally on the discharge pipeline (see "External safety valve") to protect against any excess of pressure. The working pressure must NEVER exceed the maximum allowable pressure indicated on nameplate, even in case of opening (discharge) of external safety valve.



Protect the pump from product leaks from the plant and/or corrosion phenomena. Avoid to arrange pipeline nor installing accessories directly above the pump. Avoid installation in a closed, corrosive or stagnant location.



For outdoor installations provide proper protection for the pump from direct weathering actions (rain, wind, dust, humidity). Consider the benefits of using a shelter and/or sliding panels. These devices significantly raise the level of efficiency and safety of the whole pump.

Provide adequate free space around the whole pump to allow inspections and/or dismantling. In particular from the pumphead side, in correspondence with the adjustment system and from the motor side (see figure 3).

If the pump is installed outdoors, a shelter is recommended, especially when the pump is equipped with electric actuators or other delicate devices.

Moreover, for pumps with PLASTIC material pumphead also provide:

- appropriate shelter from direct sunlight, to avoid thermal deformation of the pumphead
- periodic controls and/or adjustments of pumphead locking bolt tightening torque
- periodic checks of the handled fluid temperature
- periodic checks of absence of chemical leakages from pumps connections or plant pipelines
- periodic checks of plunger packing. If necessary, replace the packing or adjust the gland nut tightening

6.1.1 Pump and pipeline fixing

Do not install the pump directly on a concrete foundation base. Use a steel baseplate make sure that is stable and well leveled. Fix securely the pump to the baseplate using bolts and washers to ensure a proper load distribution.

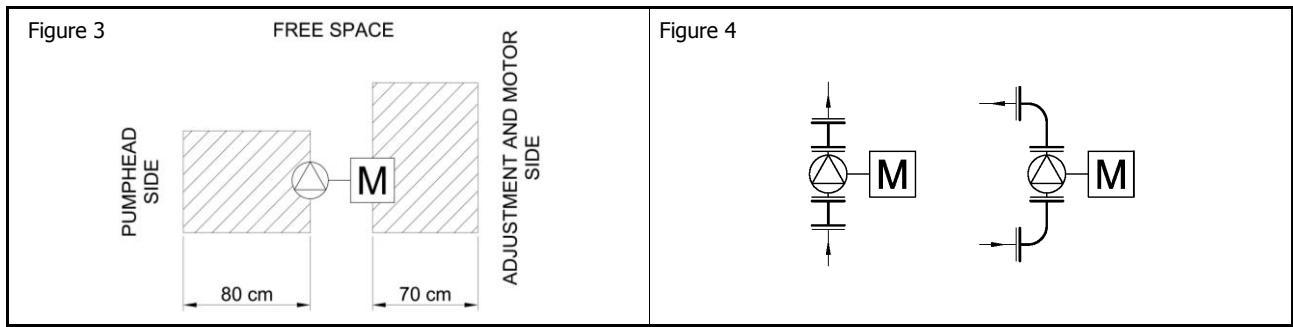
The pipelines must be supported independently and their weight must not burden or create tension on the pumphead.

Therefore, besides the baseplate, the pump needs a supporting framework for both its suction and discharge pipelines.

6.1.2 Connecting to plant pipelines

On the discharge pipeline, to remove easily the pump from the plant, provide proper draining pipes near the pumphead.

We suggest to use short fittings to disassemble easily the flanged connections (see figure 4).



After the pump discharge connection we recommend the use of a cross connection, both to facilitate pump dismantling from the plant and to allow (at a later time if necessary) the installation of a pressure gauge, safety valve, pulsation dampener.

Always verify complete sealing of fittings and pipe flanges, particularly on the suction side pipeline plant.

The entry of suctioned air prevents pump priming.

⚠ Before connecting the plant pipelines to the pump connections, it is absolutely necessary flush properly the pipelines with water. Especially the suction pipeline and relevant feed tank. This preliminary flushing is often underestimated by the installer and/or the end user; if this operation is not properly carried out, the pump will become a collector of all foreign matters contained in the suction pipeline and tank, such as weld drops, gasket scraps, soil and other stuff.

6.1.3 Connecting the motor to the mains

The metering pumps are always supplied with the use and maintenance instructions of the electric motor installed.

In addition, for ATEX pumps are also supplied the safety instructions, certification and ATEX conformity declaration.

⚡ Before carrying out electrical connections ensure that the mains supply voltage corresponds to that indicated in the nameplate of the motor. Refer to the motor instructions manual and observe relevant provisions.

When for the mains cable connections in used a cable-gland, always choose it correctly according to the type of plant and properly for the type of cable used.

The cable gland should be tightened so that the seal rings keep the necessary pressure:

- to prevent transmission of mechanical stress on the motor terminals
- to ensure mechanical protection (IP degree) of the terminal box

⚡ NOTE: Always make the ground connection using the appropriate terminal in the terminal box.

6.2 SUCTION PIPELINE

To ensure a proper and smooth operation of the pump it is essential design correctly the suction pipeline.

Especially when pump is installed higher than the liquid surface, **above tank** (good suction lift required), the factors to consider are:

- the internal diameter of the pipeline
- the overall length of the pipeline
- the arrangement or path of the pipeline

The internal diameter of the suction pipeline must be chosen according to the pump flow rate (see following table A).

Pump connections are sized/ designed in excess to cover all applications.

Table A

Suction pipeline size according to maximum pump flow rate					
Max. pump flow rate (Qmax)	Quick fittings	Connections		Flanged connections	
		Threaded	Glued	UNI	ANSI
Qmax < 15 l/h	4 x 6 mm	-	-	-	-
15 l/h < Qmax < 30 l/h	6 x 10 mm	1/4"	-	-	-
30 l/h < Qmax < 125 l/h	-	3/8"	∅ 16 mm	DN 15	1/2" ANSI
125 l/h < Qmax < 200 l/h	-	1/2"	∅ 20 mm	DN 15	1/2" ANSI
200 l/h < Qmax < 300 l/h	-	3/4"	∅ 25 mm	DN 20	3/4" ANSI
300 l/h < Qmax < 500 l/h	-	1"	∅ 32 mm	DN 25	1" ANSI
500 l/h < Qmax < 2000 l/h	-	1-1/2"	∅ 40 mm	DN 40	1-1/2" ANSI
Qmax > 2000 l/h	-	2"	∅ 50 mm	DN 50	2" ANSI



6.2.1 Suction pipeline path

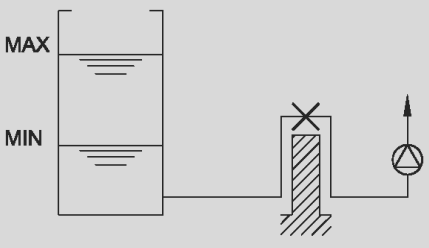
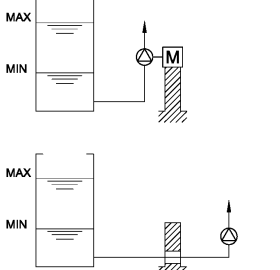
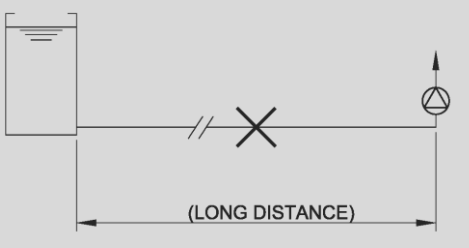
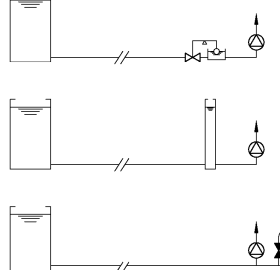
The length of the suction pipe must be as short as possible, respecting the dimensions contained in the previous table A.

- for **above tank** installation (good suction lift required), do not exceed a maximum height of 3 metres
- do not exceed a maximum length of 4 metres (sum of vertical and horizontal sections).

Please refer to figure 5 below for suction pipeline correct arrangement or path.

GB

Figure 5		INCORRECT INSTALLATION	CORRECT INSTALLATION
5-A	Incorrect Danger of pump valves clogging		Correct
5-B	Incorrect The fluid vein breaks and air remains trapped in the highest section of the pipeline		Correct
5-C	Incorrect The fluid vein breaks and air remains trapped in the horizontal section of the pipeline		Correct Suction pipeline always uphill
5-D	Incorrect Internal diameter of suction pipeline inadequate (see previous table A)		Correct Internal diameter of suction pipeline proportioned (see previous table A)
5-E	Incorrect		Correct
5-F	Incorrect		Correct

<p>Incorrect</p>  <p>5-G</p>	 <p>Recommended</p> <p>Recommended</p>
<p>Incorrect</p>  <p>5-H</p>	 <p>Recommended</p> <p>Recommended</p> <p>Acceptable</p>

GB

6.2.2 Suction pipeline for viscous liquids

Pumps for dosing viscous liquid must be specifically ordered for that use.

Where possible, we recommend:

- use pumps with plunger pumphead with a low number of strokes per minute and a large diameter plunger
- in order of importance, use plunger pumps, mechanical diaphragm or, lastly, hydraulic diaphragm pumps
- use stainless steel pumpheads, otherwise with metallic valves or special material
- avoid to install filter in suction pipeline. If essential evaluate its appropriate oversizing (see "Filter on suction pipeline")
- maintain the diameter corresponding to pump connections as the minimum diameter of the suction pipe

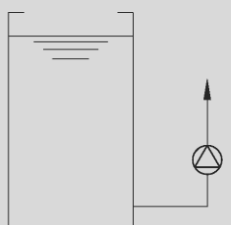
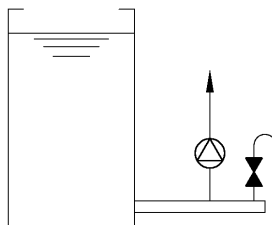

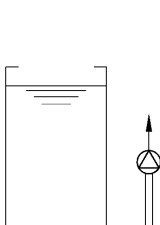


As a general rule, always install the pump with suction connection flooded and pay particular attention to the design, arrangement and path of suction pipeline.

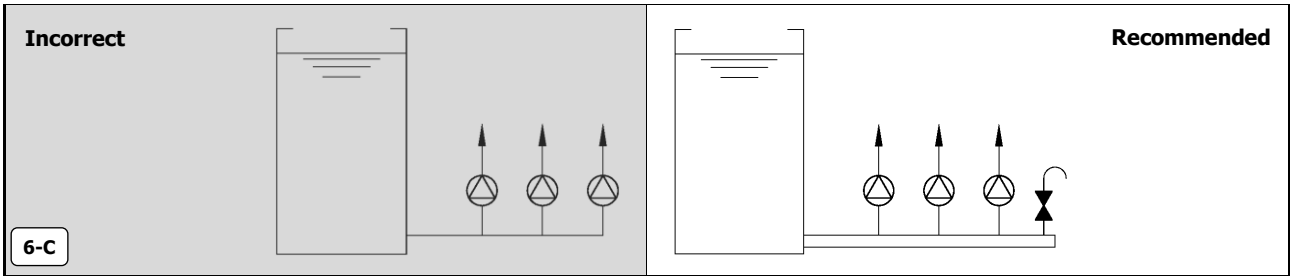


ATTENTION: To select a suitable pump the customer must inform us on the plant NPSH available !

Figure 6 shows some installation examples for viscous liquids.

Figure 6	INCORRECT INSTALLATION	CORRECT INSTALLATION
<p>Incorrect</p>  <p>6-A</p>	 <p>Recommended</p>	
<p>Incorrect</p>  <p>6-B</p>	 <p>Recommended</p>	

GB



6.2.3 Filter on suction pipeline

To ensure proper pump operation it is important that the product dosed is liquid, homogeneous and clean.

The use of the filter should not affect the suction capacity of the pump. Carefully evaluate the real benefit of using the filter according to the nature and characteristics of the handled fluid. If it is best to use it, properly choose the filter mesh size.

The pump can also convey solids in suspension (non soluble particles) but these are always considered as “disturbing source” elements as they can cause:

- check valves obstruction
- accumulations and/or solidification inside the pumphead
- in case of diaphragm pumps, cutting or rupture of it

As a general rule, **we do not recommend** filter installation in the following case:

- viscous liquid (e.g. polyelectrolyte)
- liquid that coagulates, solidifies or crystallize easily (e.g. caustic soda, ferric chloride)

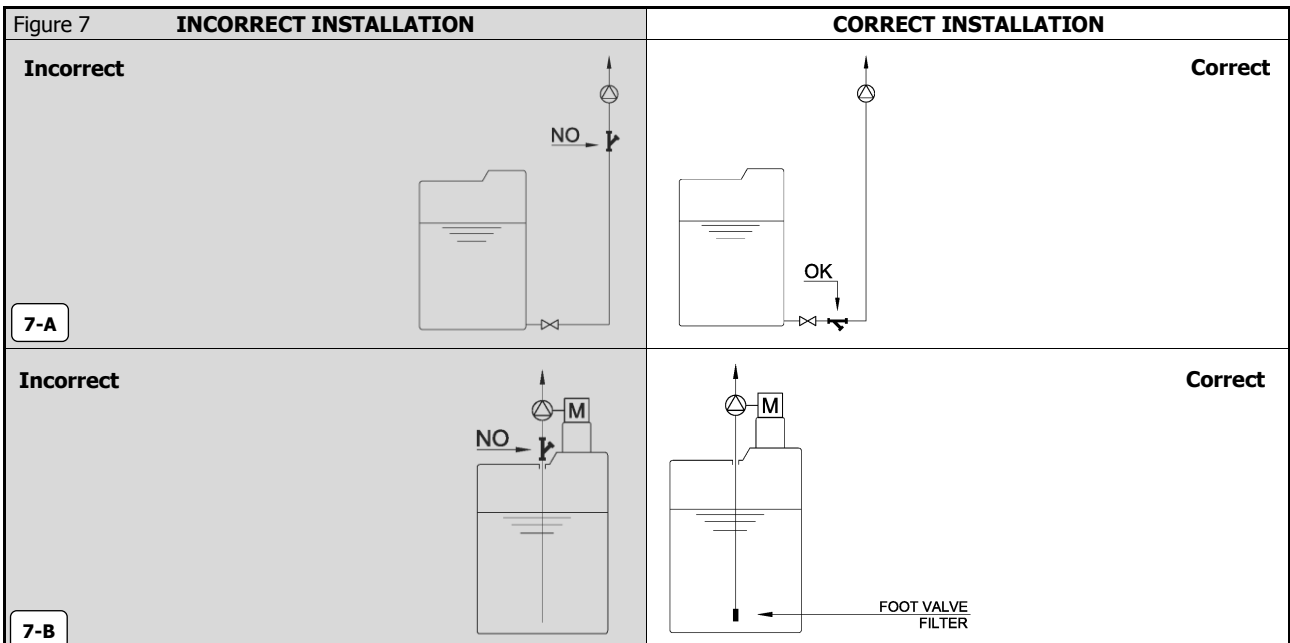
⚠ ATTENTION: A small size filter may impede the suction inlet flow, clogging up the pipeline. Use Y filters (a.k.a. Y strainers) with sizes larger than the diameter of pumps suction side connection.

The filter mesh size and characteristics are linked to the nature of the handled fluid and the pump flow rate. For liquids having viscosity not exceeding 200 cps see the table below.

Max. pump flow rate (Qmax)	Filter mesh (US standard)	Mesh opening (mm)
Qmax < 15 l/h	100	0,152
15 l/h < Qmax < 50 l/h	60	0,251
50 l/h < Qmax < 100 l/h	50	0,353
100 l/h < Qmax < 300 l/h	40	0,422
300 l/h < Qmax < 1000 l/h	30	0,599
Qmax > 1000 l/h	30	0,599

To avoid suctioning of impurities, especially in dosing liquids with suspensions, do not suction from the bottom of the tank but lift the suction point 10 cm from the bottom (see previous figure 5-A).

Figure 7 shows some examples of filter installation in suction pipeline.



6.2.4 Calibration pot

Allows to evaluate the conditions of the valves and check the actual flow rate of the pump in its real operating conditions and especially during the normal operation of the plant, without interrupting the dosing process.

Have to be installed on the suction pipeline, between the tank and the metering pump (see figure 11).

Is not an essential accessory but it is especially useful in the following cases: dose of hazardous fluids, lack of pulsation dampener on delivery pipeline, difficulty in verifying the pump actual flow rate operating on the delivery pipeline.

6.3 DISCHARGE PIPELINE

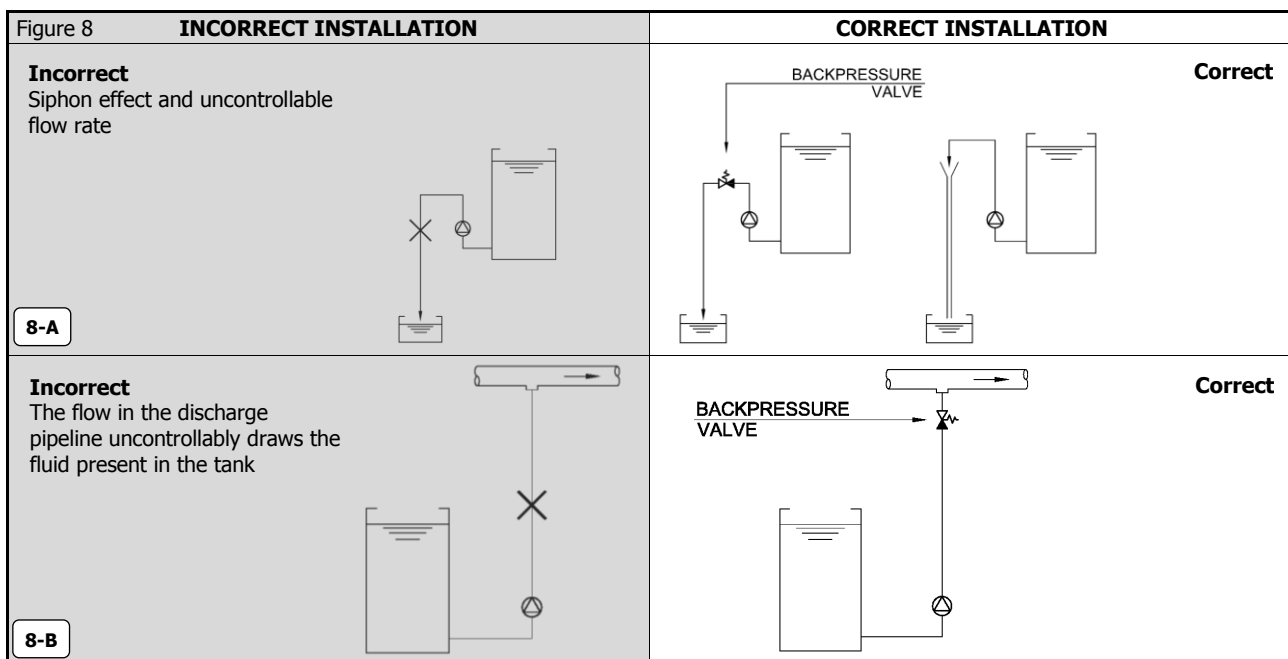


Avoid to build the discharge pipeline, or worse to install equipment, directly above the pump.

If the handled fluid free surface of the suction tank is higher than the delivery reservoir this may trigger the siphoning phenomenon (see Figure 8). The fluid moves in a spontaneous and uncontrolled manner from the suction tank to the discharge tank, **going through the pump without it being able to control the flow rate in any way.**

To avoid and prevent this phenomenon we suggest to install on discharge pipeline a backpressure valve, or else raise the pipeline so to break the fluid vein. Discharge pressure must be greater than suction pressure by at least 0,3 bar (0,5 bar for small flow rates).

See indications shown in figure 8 for discharge pipeline arrangements.



6.3.1 External safety valve

Plunger pumps are volumetric pumps that always require a safety valve installed externally on the discharge pipeline, next to the pump and before any other accessory, to protect against any excess of pressure.



The EXTERNAL safety valve on the discharge pipeline is essential when plant pressure can rise quickly, unexpectedly and uncontrollably, regardless of pump operation.



ATTENTION: The working pressure must NEVER exceed the maximum allowable pressure indicated on the nameplate, even in case of opening (discharge) of external safety valve. Possible damage to pump or plant !

The external safety valve must be installed immediately after pump discharge connection and, in any case, before the ON-OFF valve (see figure 9). The discharge of safety valve must be visible, inspectable and directed back to the suction tank or into a drainage.

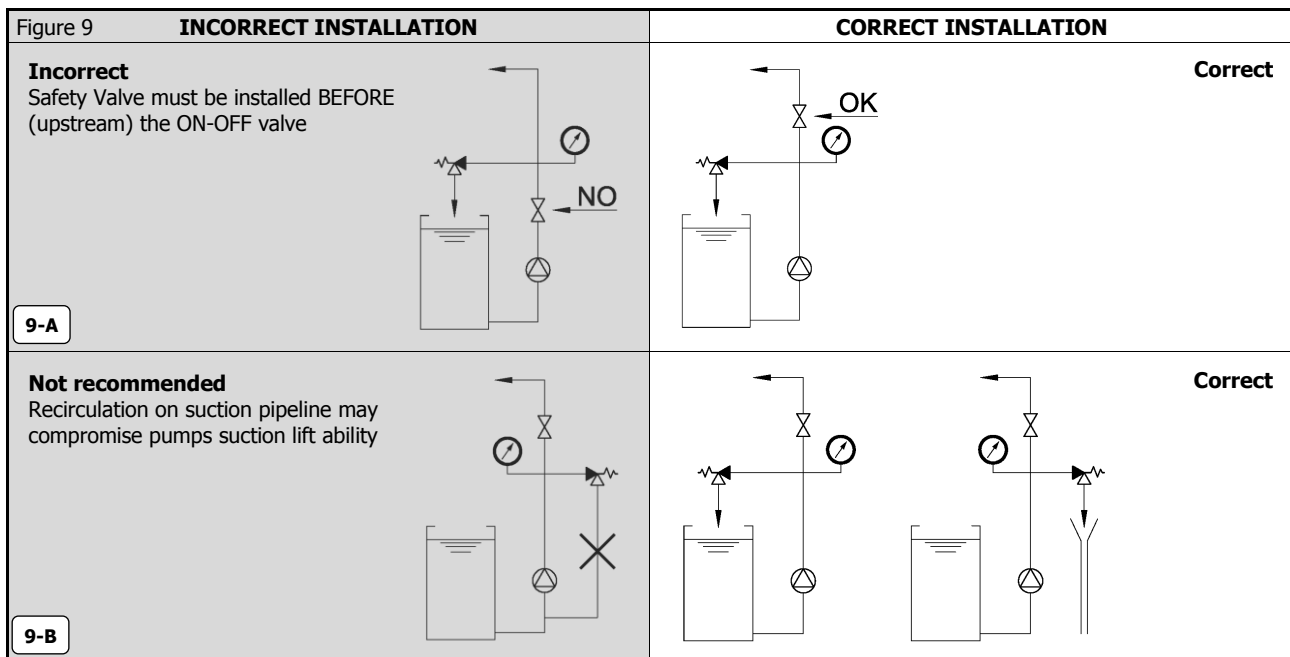
Avoid to connect the discharge to the pump suction pipeline (recirculation), **especially on small flow rate pumps.**

Consider the use of an external safety also when dosing in a "free discharge / open flow" plant.

Doing so prevents accident caused by the following risks:

- freezing or solidification of fluid in the pipeline
- obstruction or accidentally squashing of the discharge pipeline (flexible pipes)
- variation of fluid viscosity in relation to the temperature
- when dosing the fluid through the injection nozzles
- other unforeseen risks that may cause quick, uncontrolled rise in pressure

GB



6.3.2 Pulsation dampener

The pulsation dampener is particularly important to improve the dosing process and the pump operation.

There are various benefits obtained with its installation:

- protects the pump from high pressure peaks (fluid hammer) increasing lifespan of pump
- flow rate becomes continuous with a linear flow, increasing the reliability of the dosing process
- significant reduction of vibrations transmitted along the discharge pipeline
- help in reducing noise emitted by the pump



NOTE: If the process require a continuous type flow rate, is essential to install a pulsation dampener.

The pump, by its nature, generates peaks of pressure in the discharge pipeline. Dosing in "closed loop" (eg in static mixers, filter presses, other pressurized piping), although the process does not require constant flow rate/pressure, we recommend installing the pulsation dampener because it absorbs/reduces these peaks by ensuring the correct dosage.

These peaks may in fact cause the opening (discharge) of the external safety valve placed on the delivery pipeline or the internal of the pump (in case of hydraulic diaphragm pump), causing a marked decrease of flow rate and therefore problems to the process.

There are two types of pulsation dampeners on the market:

BOTTLE DAMPENER:

Fluids enters in the dampener and directly compresses the air inside it (without any means of separation).

Dampener volume is approximately 35 times the pump displacement.

Advantages: Less expensive than bladder type dampener. No need for precharge pressure as it self-adjusts.

Disadvantages: Bulkier than the bladder type dampener. Must be installed "vertically" only. Requires periodic maintenance. Must be regenerated periodically by discharging fluid and restoring the air inside.



BLADDER DAMPENER (precharged):

Fluids enters in the dampener and compresses a precharged separation bladder or diaphragm (distension chamber).

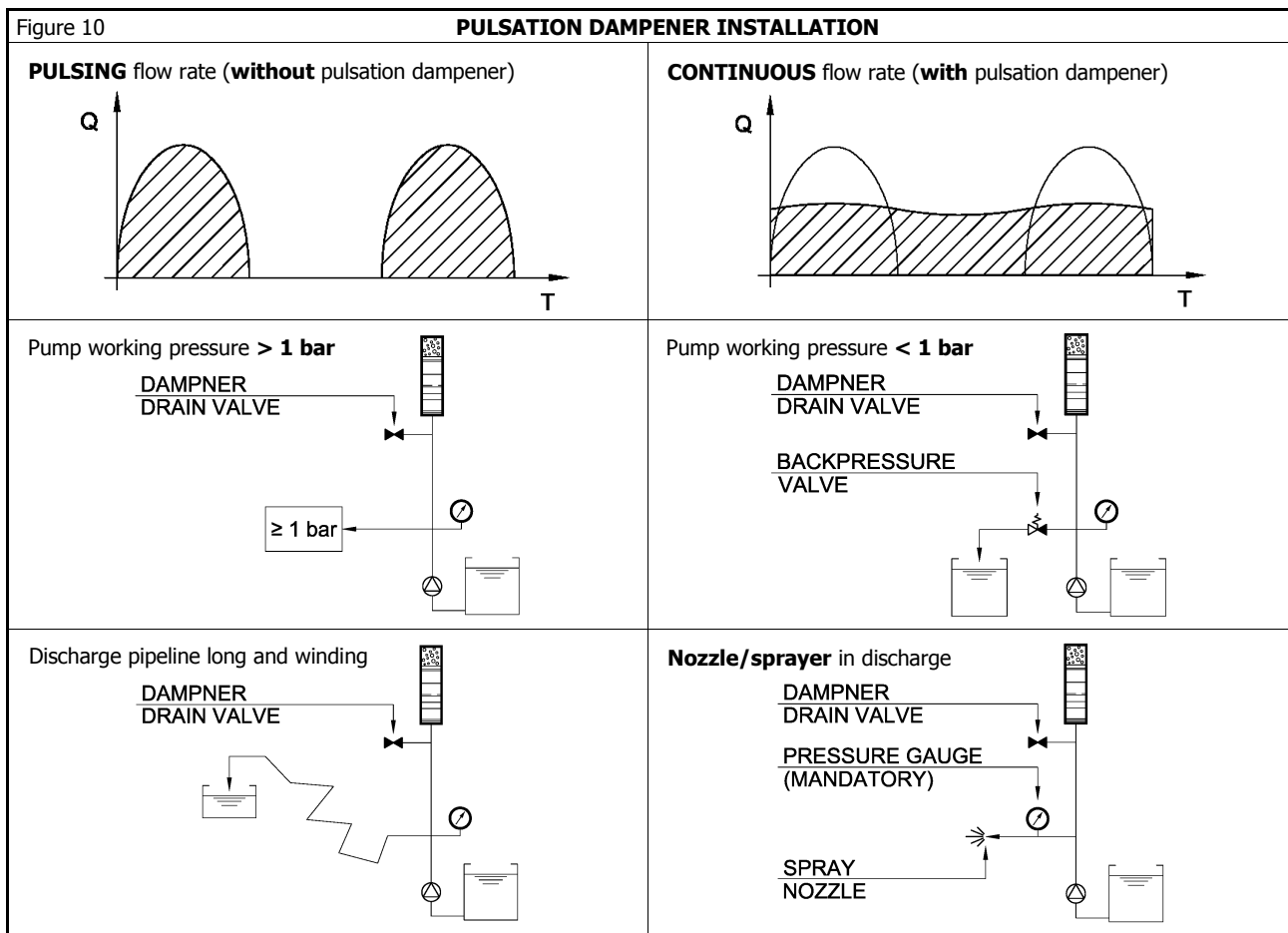
Dampener volume is approximately 8 times the pump displacement.

Advantages: More compact than bottle type dampener. Can be installed vertically or horizontally. No need periodic maintenance and not requires to be regenerated as the precharge gas always remains enclosed in the bladder.

Disadvantages: More expensive than the bottle type dampener. It is necessary to know the pump actual operating pressure beforehand to determine the correct bladder precharge pressure. The pump working pressure must always be higher than the precharge pressure.



Figure 10 shows some pulsation dampener examples of installation.



6.3.3 Pressure gauge

Always install a pressure gauge on the discharge pipeline, near the pump, and upstream of any other accessories that may cause pressure increase (see previous figure 10). Allows to control plant conditions and check the pump actual working pressure.



ATTENTION: Knowing the pump actual working conditions in the plant can avoid equipment damage and, especially, can prevent serious risk to persons or property present in the plant !

Consider the use of a pressure gauge also when dosing in a "free discharge / open flow" plant.

Doing so prevents accident caused by the following risks:

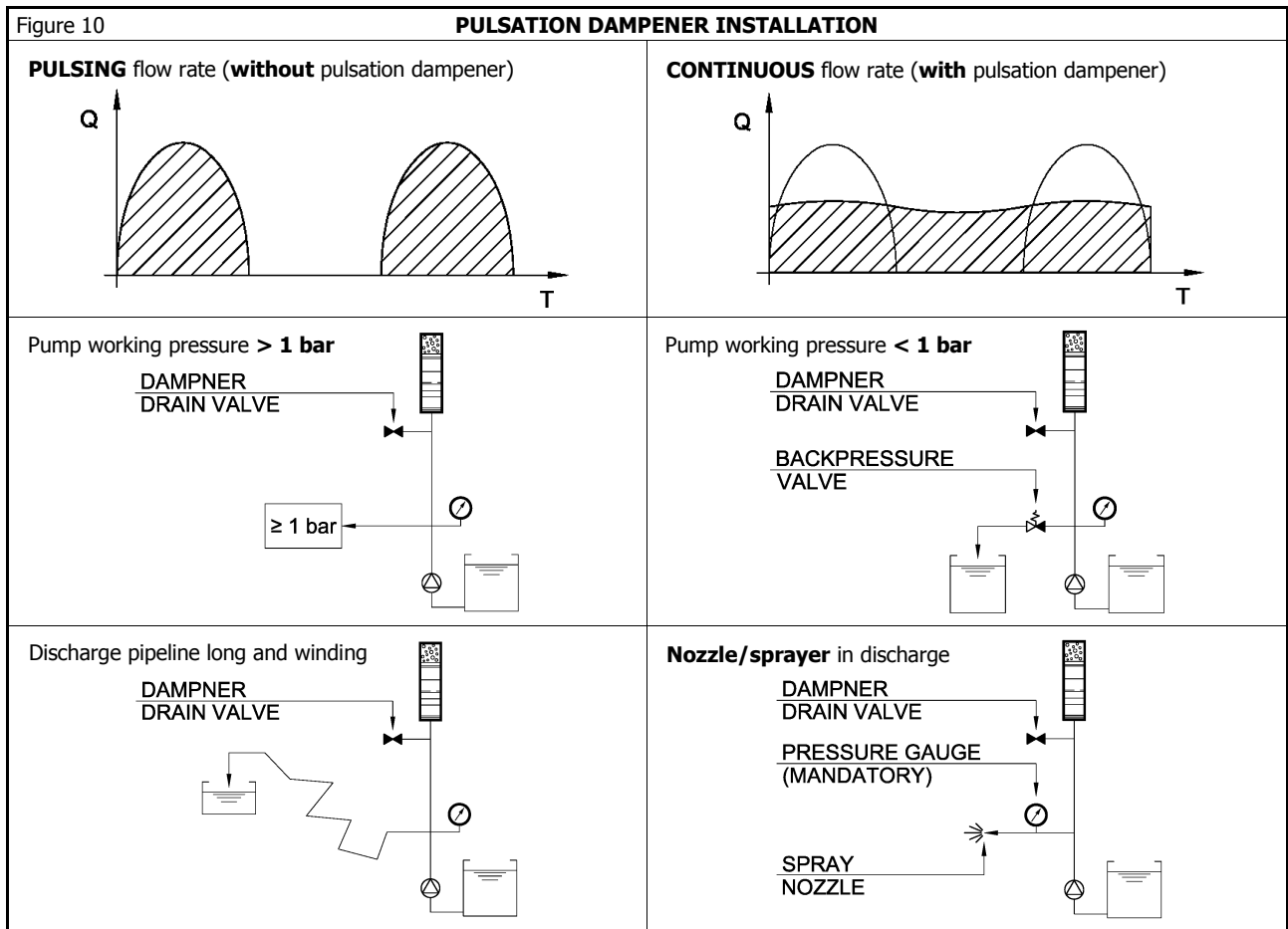
- freezing or solidification of fluid in the pipeline
- obstruction or accidentally squashing of the discharge pipeline (flexible pipes)
- variation of fluid viscosity in relation to the temperature
- when dosing the fluid through the injection nozzles
- other unforeseen risks that may cause quick, uncontrolled rise in pressure



ATTENTION: The working pressure must NEVER exceed the maximum allowable pressure indicated on the nameplate, even in case of opening (discharge) of external safety valve. Possible damage to pump or plant !

6.4 EXAMPLE OF PLANT FOR METERING PUMPS

All instructions for proper installation of metering pumps are grouped in figure 11.



GB

6.3.3 Pressure gauge

Always install a pressure gauge on the discharge pipeline, near the pump, and upstream of any other accessories that may cause pressure increase (see previous figure 10). Allows to control plant conditions and check the pump actual working pressure.



ATTENTION: Knowing the pump actual working conditions in the plant can avoid equipment damage and, especially, can prevent serious risk to persons or property present in the plant !

Consider the use of a pressure gauge also when dosing in a "free discharge / open flow" plant.

Doing so prevents accident caused by the following risks:

- freezing or solidification of fluid in the pipeline
- obstruction or accidentally squashing of the discharge pipeline (flexible pipes)
- variation of fluid viscosity in relation to the temperature
- when dosing the fluid through the injection nozzles
- other unforeseen risks that may cause quick, uncontrolled rise in pressure



ATTENTION: The working pressure must NEVER exceed the maximum allowable pressure indicated on the nameplate, even in case of opening (discharge) of external safety valve. Possible damage to pump or plant !

6.3.4 Calibration pot

Helps to detects the operating flow rate of the pump under actual working conditions and especially during normal operation, without interrupting the dosing process.

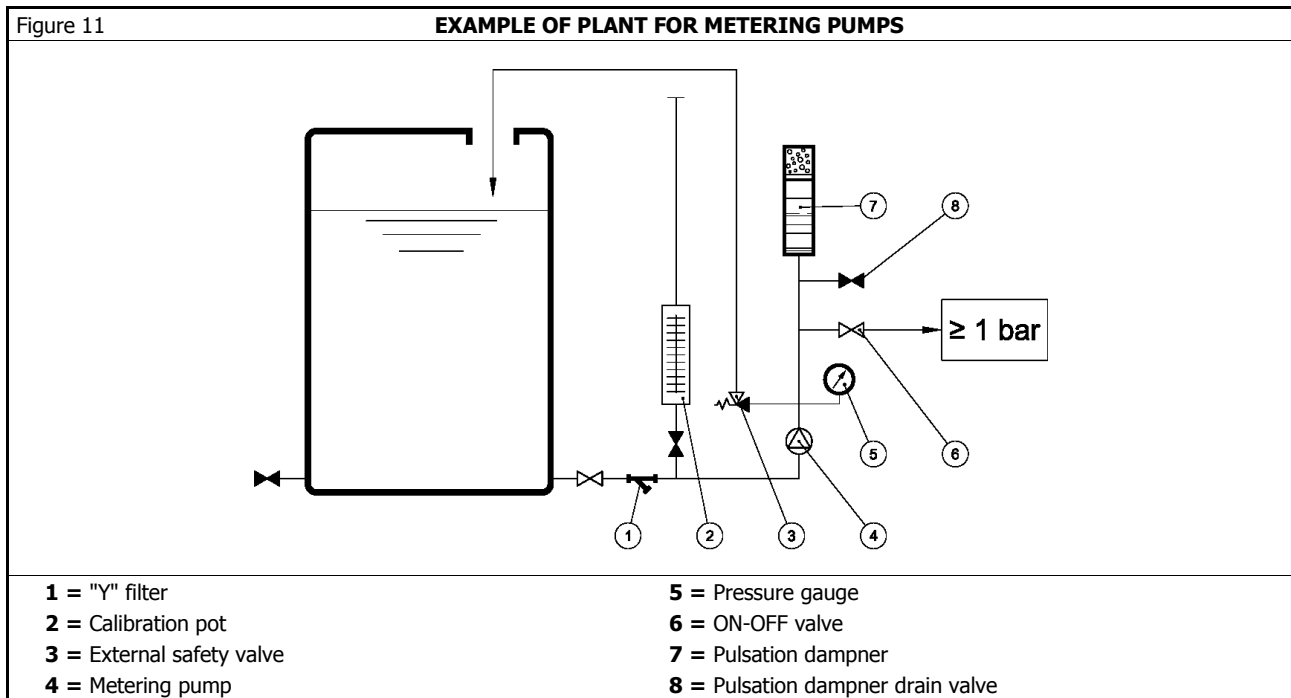
Have to be installed on the suction pipeline, between the tank and the metering pump (see figure 11).

It is not a must accessory but, especially in process plants, it's considered a complementary element to monitor the correct flow rate of the pump.

6.4 EXAMPLE OF PLANT FOR METERING PUMPS

All instructions for proper installation of metering pumps are grouped in figure 11.

GB



6.5 ELECTRIC MOTOR INSTALLATION

Unless otherwise agreed, the pumps are always supplied complete with an electric motor.

For pumps explicitly ordered without motor ("M0" pump code ending) technical requirements to be met are defined during negotiations.



NON ATEX pumps supplied without a motor (pump code ending in "M0"), it is the end user's responsibility to install a motor with power, rotational speed and coupling type that meet the technical requirements.



For ATEX pumps supplied without a motor (codes ending in "M0"), in addition to the above, it is the end user's responsibility to verify and install a suitable motor for the zone classification and characteristics of flammable substances present in the plant.



OBL DISCLAIMS ALL RESPONSIBILITY FOR DAMAGES TO PERSONS OR PROPERTY CAUSED BY IMPROPER INSTALLATION OF MOTORS.

6.5.1 Flexible joint coupling

Motor coupling on the pump is performed by means of a BoWex flexible joint. Clean the end of the shaft, lubricate it with oil and then carefully proceed to assemble the half-coupling without banging and with maximum caution.

6.5.2 Check and change the direction of rotation

At first start-up of the pump, the direction of rotation of the motor should be checked by authorised, experienced and qualified personnel. An arrow on the motor indicates the correct direction of rotation.



To reverse the direction of rotation of the motor, exchange the two motor power phase cables. Re-check the motor direction of rotation after this activity.

6.6 DESIGN DATA CHECK

Make sure that pump is suitable for working in the actual operating conditions by checking the following:

6.6.1 Environmental conditions

- ambient temperature: check that the actual ambient temperature is consistent with pump characteristics
- altitude: pump suction performances could be influenced by atmospheric pressure. Check the real NPSH(a) available (of the plant) in relation to the NPSH(r) required of the pump.

6.6.2 Installation conditions

- pump installation and operation should only be carried out under the conditions defined at time of order.
- for ATEX pumps: pump classification (group and category) and the temperature class must be suitable for the installation area classification.



Special operating conditions, differing from normal conditions, must always be defined at time of the order, to prevent the pump from working under conditions which may affect proper functioning and compromise safe operation.

6.7 START-UP

Pumps are ALWAYS supplied COMPLETED with lubricant oil (unless explicitly requested).

To prevent oil spills during transport is mounted a provisional oil filling blind plug (not vented) attached to the working plug (with bleed) through clamp (see Figure 12).



ATTENTION: Before starting the pump replace the provisional plug with the working plug !

Carry out the first start-up with stroke adjustment at 20% and with the lowest discharge pressure possible; maintain these conditions for at least 5 minutes. Gradually increase the adjustment up to 100%, then place it in the condition required by the process.

During this initial phase, check with a pressure gauge (see "Discharge pipeline - Pressure gauge") the actual pump working pressure. Such value (pointer max. oscillation) must never exceed the maximum pressure value indicated on the pump nameplate.



6.7.1 Checks before start-up

Before starting up the pump check the following:

- a) the actual presence of lubricant oil by means of the oil level indicator, see "Lubricant oil check"
- b) that there are no product leakages from pump connections nor pipelines plant, especially along the discharge side
- c) the direction of rotation of the motor and that it is protected as provided for by regulations, see "Electric motor installation"
- d) in case of power supply via inverter, that pump has been purchased for said use and that the actual power frequency range complies with the range of frequency from 30Hz to 80Hz allowed and defined by OBL
- e) correct installation of all possible accessories and their proper operation
- f) that ON-OFF valves along the discharge and suction pipelines are open or closed depending on their function
- g) the liquid to be dosed has not solidified or frozen in pipelines
- h) that is protected from agents such as: sand, corrosive substances, dust and/or fibre, water, mechanical stress and vibrations
- i) that is protected mechanically: indoor installation or outdoor installation considering the damaging effects of weathering, the combined influence of temperature, humidity and condensation

6.7.2 Checks during operation

Once the pump has been started, make sure that operating conditions remain within prescribed limits, in particular check the following:

- a) pump working pressure
- b) motor current absorption
- c) handled fluid temperature, if different from ambient temperature
- d) warming fluid temperature, for pumps with warming jacket (code RF)
- e) efficiency of the cooling system, for pumps with flushing (code TLL, TLF, HT)
- f) the entire pump maximum surface temperature (max 40°C for pump reduction gear unit and max 80°C for motor)

Check that pump suitability is maintained whenever changes in operating conditions occur, such as:

- modification of one or more process variables (e.g. working pressure and/or pump flow rate adjustment)
- movement of the pump to a different environment (e.g. from indoors to outdoors)
- dosing of a different fluid from the initial (change of the pump use)
- movement of the pump from a low temperature ambient to another with higher temperature
- change of season or significant climatic variations
- malfunction of possible external safety valve installed on discharge pipeline

6.7.3 **Abnormal conditions**



Pump must be used exclusively for operating conditions determined at time of order. In case of abnormal operating conditions (high motor absorption, excessive surface temperature, high noise and/or vibrations) promptly inform the maintenance staff/manager.



NO RESPONSABILITY IS ACCEPTED FOR DAMAGE OR INJURIES CAUSED BY DEGENERATION OF MALFUNCTIONS NOT IMMEDIATELY RESOLVED OR REPORTED TO OBL.

GB

6.7.4 **Prolonged stops**

If a prolonged period of pump stop is foreseen, take the following measures to preserve pump integrity: Cleaning of chemicals, protection from weathering, etc. (see also "General and surface cleaning").

7. **ROUTINE MAINTENANCE**

Each pump is a reliable, quality product, subjected to a thorough final inspection. In case of malfunction, although pump is installed correctly and operating according to the instructions, do not improvise and immediately contact OBL customer service.



These maintenance suggestions are not intended as "do-it-yourself" repairs. To perform such works, specialised technical knowledge is required and operations are to be performed by qualified personnel.



Interventions on electrical circuits or equipment must only be performed by qualified electricians or, under supervision, by appropriately trained personnel and in accordance with applicable electrical codes.



In case of ATEX pumps, it is necessary pay particular attention not compromise the pumps suitability characteristics to the plant classified area where it is installed.

7.1 **OPERATING PRECAUTIONS**

All operations must be performed by qualified personnel.

Works on the pump have to be performed after the safety supervisor authorisation, after having verified that:

- a) the power line is disconnected and no parts are energized, including any auxiliaries
- b) any risk of accidental restart has been excluded
- c) handled fluid, present in the pumphead and pipelines, is not pressurized or chemically dangerous
- d) **with pump switched off**, that the ON-OFF valves on the suction and discharge pipelines are closed
- e) pump has been adequately cleaned, when operating in environments exposed to aggressive chemicals

Since the machine object of supply is a product designed and intended for operation in industrial areas, **additional measures must be adopted and assured by the person responsible for the installation, should more restrictive safety conditions be required.**



All maintenance work must be carried out on the pump only when the machine is stopped and disconnected from mains supply (including auxiliary circuits). Maintaining original characteristics over time must be ensured by an efficient maintenance and inspection plan, developed and managed by qualified technicians, taking into account the service and the actual environmental conditions in which it operates.



ATTENTION: During the normal operation of the pump the motor casing temperature can exceed 50 °C. Before performing any test or maintenance verify the complete cooling.

7.2 **CONSULTING TECHNICAL DOCUMENTATION**

Before starting work, you should consult again this use and maintenance manual, identify the correct sectional drawing of the pump in use and get all the tools and equipment necessary to perform the maintenance or repair works.

NOTE: When the pump has been disassembled, waiting to be reassembled, it is necessary to protect the various components (particularly those inside the mechanism, paying special attention to the working surfaces of the seals) to prevent damage caused by oxidation or accidental impact.



Improper assembly of the sealing components or ball bearings can anticipate their deterioration and result in malfunction and/or overheating.

7.3 **PERIODIC OPERATIONS**

As a general rule, after the first start-up, close initial monitoring of the machine is recommended to practically define the maintenance plan and also determine the frequency of general inspections and planned maintenance.

Should anomalies or malfunctions occur it is user's responsibility to consider whether maintenance work should be anticipated or not.

7.3.1 **Checks of normal operation**

During periodic inspections, verify that:

- in case of plunger pumps, there are no leakages of product from plunger packing
- there is no leakage of handled fluid or lubricating oil
- the pump operates properly, without abnormal noises or vibrations
- CE protections (accident prevention) are always fitted



Any defects or irregularities detected during inspection must be promptly solved !

7.3.2 **Checks of electrical connections**

Power cables, control and grounding cables must not have signs of deterioration and connections must be tight.

7.3.3 **Checks of pump connection to plant pipeline**

Verify that the connection elements (screws, nuts and bolts, flanges, etc.) are firmly tightened and that relative sealing components are efficient and in perfect condition. During normal operation, pumps can transmit vibrations to pipelines, loosening component connections and causing product leakages. In this case, install a pulsation dampener to reduce pressure peaks, making flow linear and reducing these vibrations.

7.3.4 **General and surface cleaning**

It is suggested periodically perform the following operations:

- a) if the pump works in a batch dosing system, and the handled fluid tends to coagulate, solidify or crystallize easily, wash the pumphead immediately after each working cycle
- b) prevent/eliminate surface deposits of material that can generate scale and encrustations
- c) remove any accidental presence of corrosive product from the external surface of the pump
- d) verify and be sure that motor ventilation is not impeded. Remove any possible deposits of dust or fibres from the fins and fan cover.

7.3.5 **Protection against corrosion**

Dosing of aggressive chemicals or operating in exposed environments (acid atmosphere) may expose the pump to corrosion and the risk of premature wear of sealing components. Periodically check:

- a) that protection covers are always mounted
- b) that operating windows are always properly closed
- c) that there is no oil contamination in the reduction gear that could endanger proper lubrication.

7.3.6 **Verification of thermal protections**



Make sure that motor thermal overload protection is not excluded and is correctly set. Proper selection and setting of overload protection for ATEX pump motors is essential to ensure the temperature class and safety against explosion dangers.

7.3.7 **Painting check (if foreseen)**

In a corrosive environment, and every time it is needed, it is necessary check periodically that painting does not show deterioration signs which can jeopardize the equipment protection degree.

Repaint the pump every time it is needed in order to protect the external surface from corrosion.

7.3.8 **Lubricant oil check**

L series pumps are supplied completed with lubricant oil in the gearbox (unless specifically requested) and ready to run.

Check **daily** that oil level is at the halfway of the oil level indicator and that there are no leaks from dynamic seals or from plugs placed on the pump body. Verify there is no oil contamination which may compromise the correct lubrication. In this case replace it (see "Lubricant oil change").

7.4 **RECOMMENDED SPARE PARTS**

The most common faults can be solved by having the recommended spare parts in stock, thus avoiding unpleasant wastes of time.

7.4.1 Pumps with PLASTIC material pumphead

This list is indicative; we suggest proceeding as detailed in "Instructions for requesting spare parts".

Position	Pumphead execution	Component description	SV *	DV *
1	All	Plunger	1	1
2	All	Plunger seal (Plunger packing)	1	1
5	All	Valve seat	2	4
8	All	Valve seat O-ring	2	4
9	All	Valve housing O-ring	2	2
15	All	Valve (sphere)	2	4
55	All	O-ring	2	2

NOTE * Suggested quantity: SV= Single Valve pumphead (standard OBL); DV= Double Valve pumphead

7.4.2 Pumps with METALLIC material pumphead

This list is indicative; we suggest proceeding as detailed in "Instructions for requesting spare parts".

Position	Pumphead execution	Component description	SV *	DV *
1	All	Plunger	1	1
2	All (ACV not included)	Plunger seal (Plunger packing)	1	1
4	ACV, ACV-F only	Plunger seal (Lip seals kit)	1	1
5	All	Valve seat	2	4
7	All	Valve O-ring	6	10
8	All	Valve seat O-ring	2	4
9	All	Valve housing O-ring	2	2
10	TS only	Valve housing O-ring	0	2
15	All	Valve (sphere)	2	4

NOTE * Suggested quantity: SV= Single Valve pumphead (standard OBL); DV= Double Valve pumphead

7.5 DISMANTLING, REPLACEMENT AND REASSEMBLY

The most common fault is caused by the directional valve of a dirty, clogged, worn, or even worse incorrectly mounted.



ATTENTION: In the case of dosing anomalies, BEFORE dismantling the pumphead, verify the actual conditions of directional valves (see "Valve verify and/or replacement").

7.5.1 Personnel qualifications - Customer service



Entrust the maintenance, repairs and overhauls to experienced and qualified personnel who will restore the original equipment conditions. For information please contact OBL customer service.

7.5.2 Disconnecting electrical connections

Before disassembling the pump always disconnect all the electrical connections. Make sure that any risk of accidental restart of the machine has been excluded.

7.6 PLUNGER PACKING CHECK AND ADJUSTMENT

During periodic inspections check there are no leakages of product from plunger packing.

The most common cause of leakage is related to the nature of the handled fluid, together with the pump actual working conditions.

In plunger metering pumps, during normal operation, the plunger and its packing are always directly in contact with the handled fluid.

If it tends to coagulate, solidify or crystallize easily, we suggest (periodically or immediately after each stop) to wash the pumphead to protect both the surface of the plunger and the integrity of the plunger packing.



NOTE: ONLY the metering pumps WITH gland nut (pos.22) have the plunger packing adjustable.

7.6.1 Pumpheads WITH gland nut

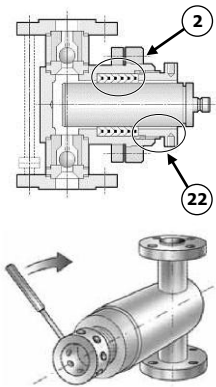
The instructions are the same for all pump models. We suggest you refer to the following figures during operation:

- **Pumps type LY, LYH, LK, LN, LP:** See figure 17 and 18

The plunger packing (pos. 2) is adjustable. Plunger packing composed of several teflon-graphite "V" ring seals (made according to OBL design) provides leak-tight with handled fluid during pump operation.

Operate with pump OFF. To eliminate product leakage operate as follows:

- unscrew the screws (pos.17) and remove protection covers (pos.97)
- unscrew the gland nut (pos.22) by one or two turns, clean it and remove the encrustations
- apply grease to the thread (e.g. vaseline) and with a pin punch (or a proper screw), tighten the gland nut (pos.22) to reset the compression of plunger packing (pos.2)
- start the pump and verify that product leakage have been eliminated. If leakage returns, "GRADUALLY" tighten the gland nut (pos.22) avoiding the "plunger lock"



If however there is a persistent leakage of product, **it is reasonable to assume that the plunger packing is worn.**

Therefore, dismantle the pumphead (see "Pumphead dismantling") and "physically" check the conditions of the plunger packing (see "Plunger packing verify and/or replacement") and of the plunger (see "Plunger verify and/or replacement").

7.6.2 Pumpheads WITHOUT gland nut

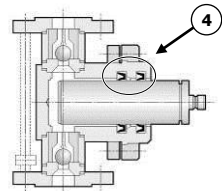
The instructions are the same for all pump models. We suggest you refer to the following figures during operation:

- **All pumps in ACV execution:** See figure 17

The plunger gasket (pos. 4) is NOT adjustable. A lip seals kit (usually a pair, made according to OBL design in material that is chemically compatible with the handled fluid) provides leak-tight with handled fluid during pump operation.

To eliminate product leakage **is necessary to replace** the plunger gasket (pos.4). See "Plunger packing verify and/or replacement").

On that occasion also verify the surface of the plunger (pos.1). It should not have scratches, dents, corrosion or encrustations which might damage the new gasket. Replace if necessary with a new one (see "Plunger verify and/or replacement").



7.7 VALVE VERIFY AND/OR REPLACEMENT

7.7.1 Pumps type LY, LYH (plungers 6-40)



NOTE: BEFORE start to disassembly, make sure there is no pressure or high temperature in the pipeline !

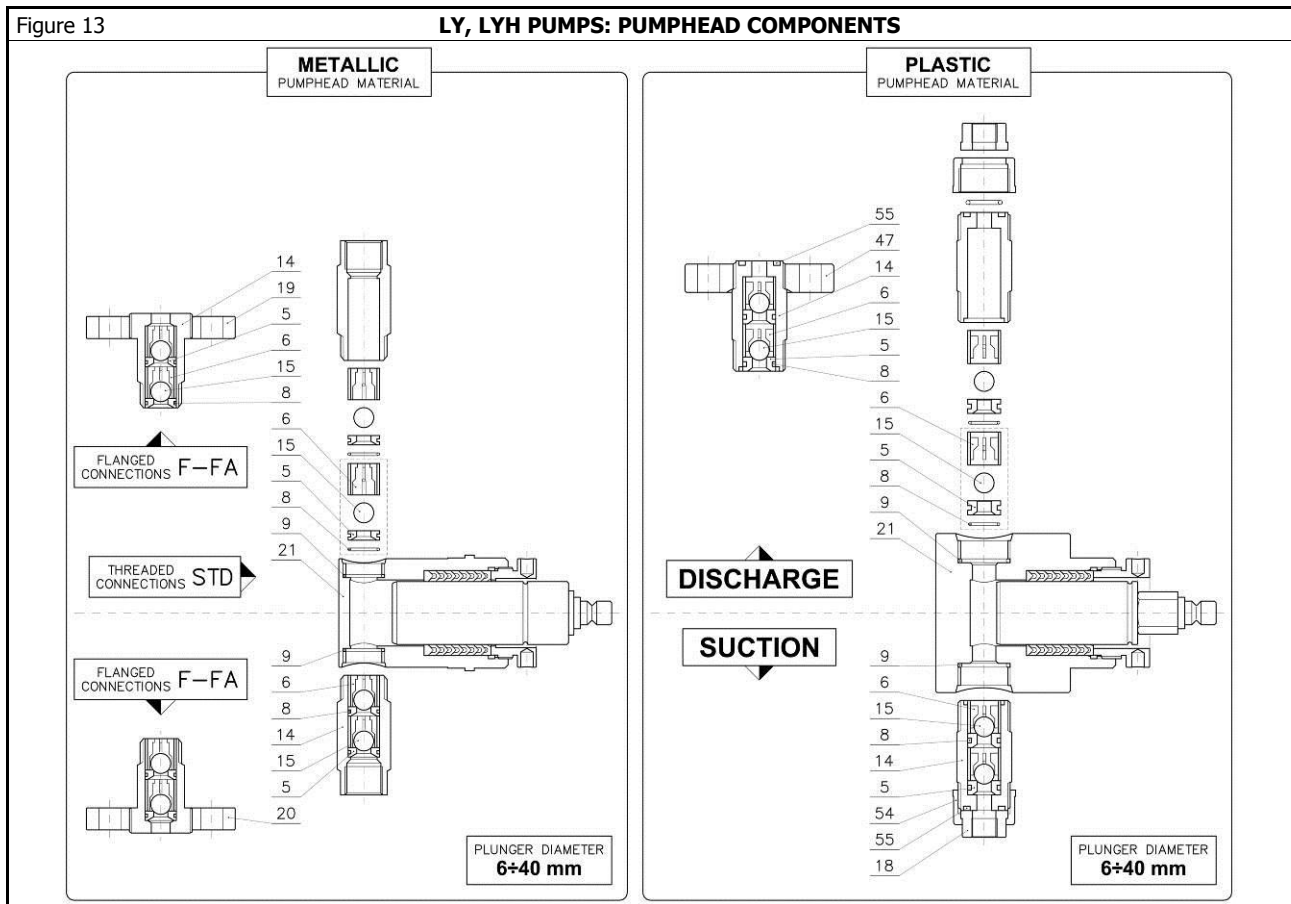
Operate with pump OFF. To verify conditions and/or replace the valves proceed as follows (see figure 13):

- release the pump from suction and discharge pipeline, and clean adequately
- remove the valve housing **one at a time** (pos.14)
- delicately extract the internal components without damaging them (use a plastic tool)
- carefully observe and check the direction of assembly of each components
- check the cleaning, wear and proper direction of assembly of components
- the ball valve (pos.15) MUST be SMOOTH, and not have dents or corrosion signs
- the valve seat (pos.5) must have smooth bevelled surfaces with no dents or signs of wear
- verify the integrity of the O-rings (sealing components) (pos.8; 9; or 55)
- if necessary, replace the damaged components
- reassemble everything exactly as shown in figure 13



ATTENTION: The valve (pos.15) MUST sit on valve seat (pos.5) on the OPPOSITE side of large bevelled surface.

GB



7.7.2 Pumps type LY, LYH (plungers 50-65-75) and pumps type LK, LN, LP

The instructions are the same for all pumpheads type. We suggest you refer to the following figures during operation:

- **Pumphead in METALLIC material:** See figure 14
- **Pumphead in PLASTIC material:** See figure 15



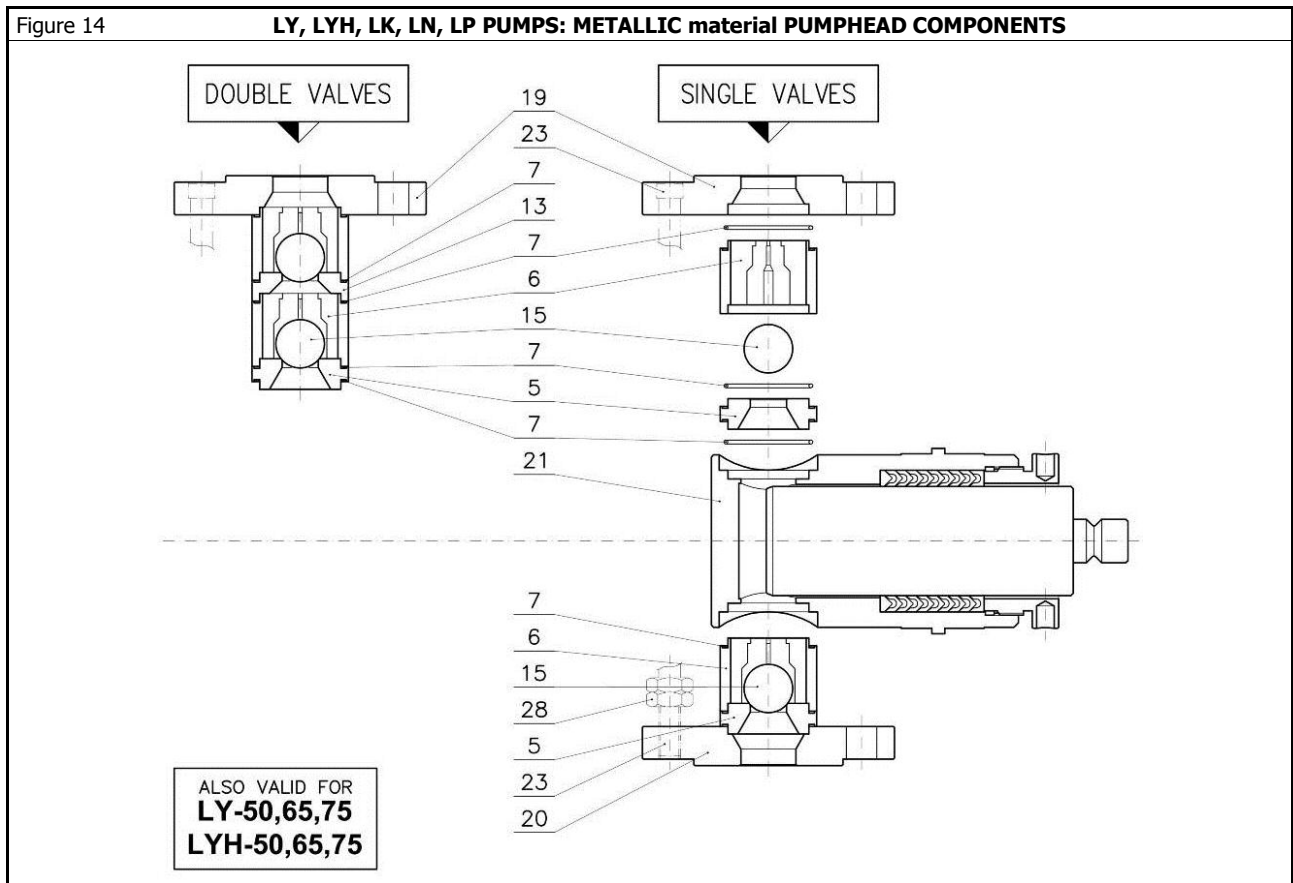
NOTE: BEFORE start to disassembly, make sure there is no pressure or high temperature in the pipeline !

Operate with pump OFF. To verify conditions and/or replace the valves proceed as follows:

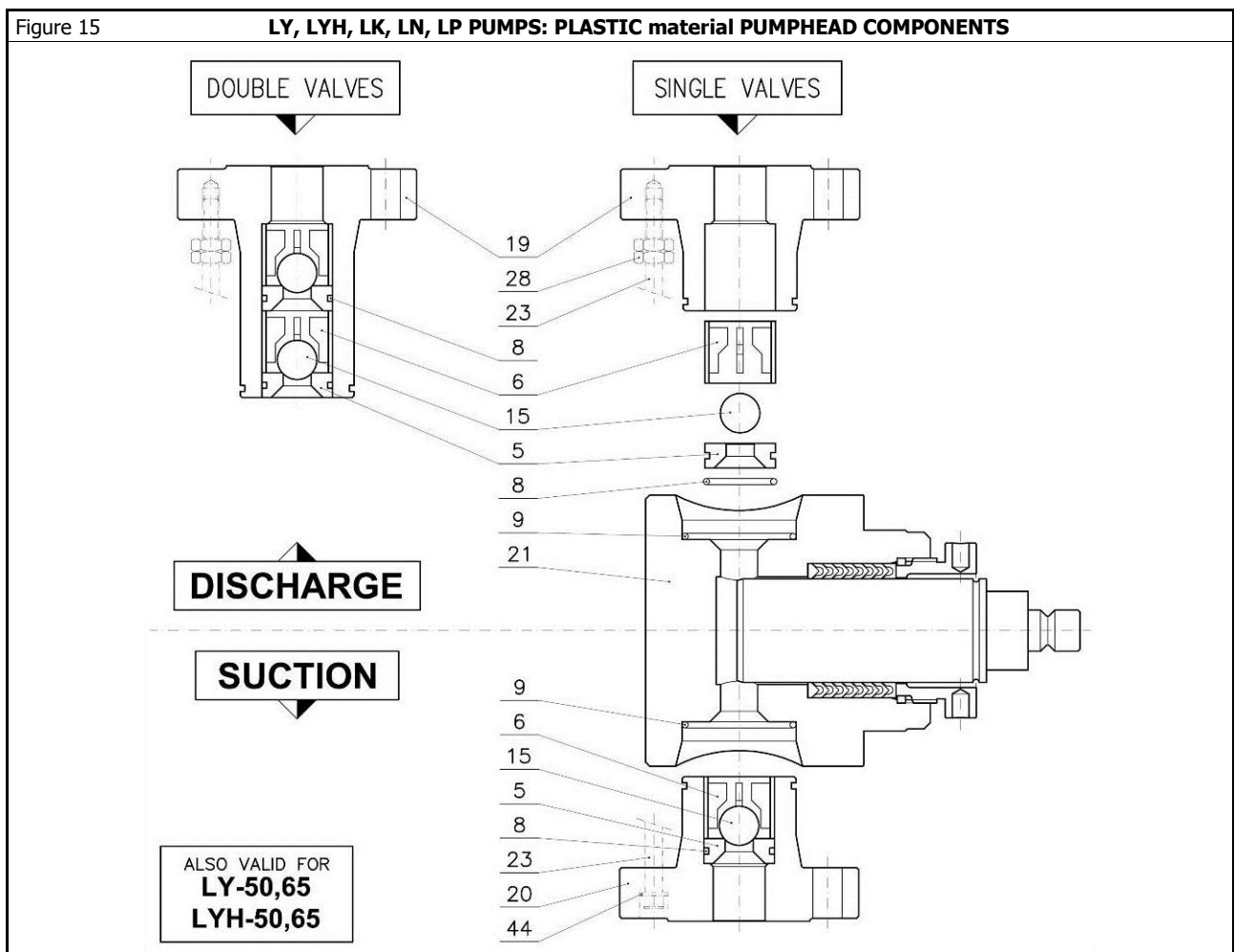
- release the pump from suction and discharge pipeline, and clean adequately
- remove the valve **units one at a time** by unscrewing the valve stay bolts (pos.23)
- delicately extract the internal components without damaging them (use a plastic tool)
- carefully observe and check the direction of assembly of each components
- check the cleaning, wear and proper direction of assembly of components
- the ball valve (pos.15) **MUST** be SMOOTH, and not have dents or corrosion signs
- the valve seat (pos.5) must have smooth bevelled surfaces with no dents or signs of wear
- verify the integrity of the O-rings (sealing components) (pos.7; 8 or 9)
- if necessary, replace the damaged components
- reassemble everything exactly as shown in figures 14 or 15



ATTENTION: The valve (pos.15) MUST sit on valve seat (pos.5) on the OPPOSITE side of large bevelled surface.



GB



7.7.3 Pumps with TS version pumphead



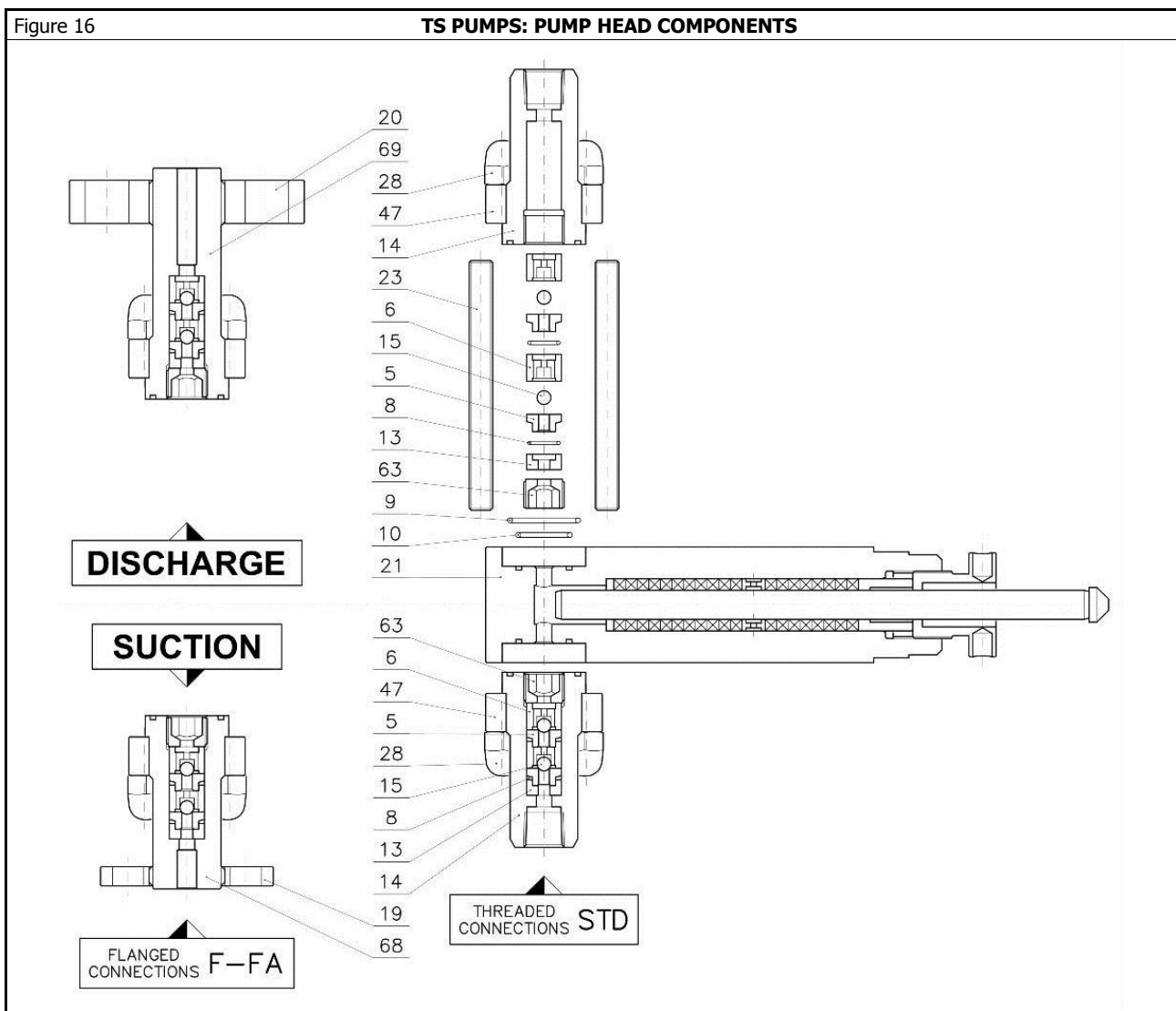
NOTE: BEFORE start to disassembly, make sure there is no pressure or high temperature in the pipeline !

Operate with pump OFF. To verify conditions and/or replace the valves proceed as follows (see figure 16):

- release the pump from suction and discharge pipeline, and clean adequately
- remove the valve housing **one at a time** (pos.14, or 68 and 69) by removing nuts (pos.28) and flange (pos.47)
- delicately extract the internal components without damaging them (use a plastic tool)
- carefully observe and check the direction of assembly of each components
- check the cleaning, wear and proper direction of assembly of components
- the ball valve (pos.15) MUST be SMOOTH, and not have dents or corrosion signs
- the valve seat (pos.5) must have smooth bevelled surfaces with no dents or signs of wear
- verify the integrity of the O-rings (sealing components) (pos.8; 9 and 10)
- if necessary, replace the damaged components
- reassemble everything exactly as shown in figure 16



ATTENTION: For correct assembly of the valve (pos.15) and the valve seat (pos.5) study figure 16.



7.8 LUBRICANT OIL CHANGE

L series pumps are supplied completed with lubricant oil in the gearbox (unless specifically requested) and ready to run.



In multiple pumps each pump body has its own lubrication, independent from the others. Operate individually on each pump body to change all multiple pump lubricating oil.

! **FIRST lubricant oil change after 1.000 hours of operation. For standard pump version replace oil after every 15.000 operating hours and every 10.000 hours for ATEX pumps. In any case every 5 years.**

! **NOTE: Chemically contaminated lubricants can cause wear, corrosion and leaking seals. Preferably, always replace all the oil rather than do simple topping.**

The oil filling plug (pos.119), the oil level plug (pos.120) and the oil drain plug (pos.121) are all placed on the reduction gear body. The following images allow easy identification of the different plugs.



Following table shown quantity and type of lubricant oils suggested:

OIL MAKE	OIL TYPE/NAME	PUMP TYPE	QUANTITY (litres)
SHELL	OMALA OIL 320	LY	0,85
ESSO	SPARTAN EP 320	LYH	2,490
MOBIL	MOBILGEAR 632	LK	3,25
IP	MELLANA OIL 320	LN	4,75
AGIP	BLASIA 320	LP	5,5

! **Use lubricating oil different than suggested is permitted only if the characteristics are compatible/equivalent. Use mineral oil for gears with ISO VG 320 viscosity index (320 cSt at 40 °C or 23 °E at 50 °C).**

8. SPECIAL MAINTENANCE

The following guidelines cover the most common "special maintenance" operations that only an expert and trained technician can perform. Avoid impromptu operations or attempts, contact OBL customer service for specific information.

! **⚡** **These maintenance suggestions are not intended as "do-it-yourself" repairs. To perform such works, specialised technical knowledge is required and operations are to be performed by qualified personnel.**

! **ATTENTION: In the case of dosing anomalies, BEFORE start to dismantling the pumphead, verify the actual conditions of directional valves (see "Valve verify and/or replacement").**

! **⚡** **Appropriate individual safety devices must always be used to ensure and safeguard the personal safety of personnel, who must also be properly trained and professionally qualified.**

8.1 TECHNICAL DOCUMENTATION

For "special maintenance" not expected, contact OBL customer care (Tel. +39-02-26919.1, info@obl.it) to receive:

- detailed and focused informations
- specific instructions copy (if available)
- sectional drawing updated copy

8.2 PUMPHEAD MAINTENANCE

Plunger packing (pos.2 o 4), or plunger (pos.1) lifespan mainly depend, in order of importance, on the following factors:

- nature of handled fluid (if it has suspensions, is abrasive or solidifies easily)
- actual pump working pressure
- ambient conditions in which the pump operates (ambient dusty or saturated with acid mists)
- type of pump service (continuous or discontinuous)
- improper maintenance (lack of checks or excessive tightening of the plunger packing gland nut)

For dosing of abrasive fluid under high pressure, where possible, we recommend to use diaphragm pumphead pumps.

8.2.1 Pumphead dismantling

Pumphead dismantling operations for plunger packing (pos.2 or 4) replacement or plunger (pos.1) replacement are the same for all types of pumps.

We suggest, however, reference to the following figures during operation:

- **METALLIC material pumphead:** See figure 17
- **PLASTIC material pumphead:** See figure 18

GB

Operate with pump OFF. Proceed as follows:



NOTE: BEFORE start to disassembly, make sure there is no pressure or high temperature in the pipeline !

- release the pump from suction and discharge pipeline, and clean adequately
- remove both valve units from the pumphead
- unscrew screws (pos.17) and remove protection covers (pos.97) from the yoke (pos.25)
- **ONLY for pumpheads WITH gland nut (pos.22):** completely unscrew the gland nut (pos.22) and start the pump for 3 (three) or 5 (five) strokes. Plunger movement will decrease the compression of plunger packing (pos.2)
- set the adjustment to 0% to be sure the plunger (pos.1) is "fully forward"
- unscrew all pumphead locking screws (pos.29) then remove the head body (pos.21)



NOTE: Because of the fragility of CERAMIC small-diameter plungers and/or pumpheads in PLASTIC material, during all operations pay attention do NOT apply stress which can compromise the integrity of these components

- check the cleaning, wear and proper direction of assembly of plunger packing (pos.2 or 4)
- the surface of plunger (pos.1) MUST be SMOOTH and without any encrustations, scratches, or corrosion
- if necessary, replace the damaged components

8.2.2 Plunger packing verify and/or replacement

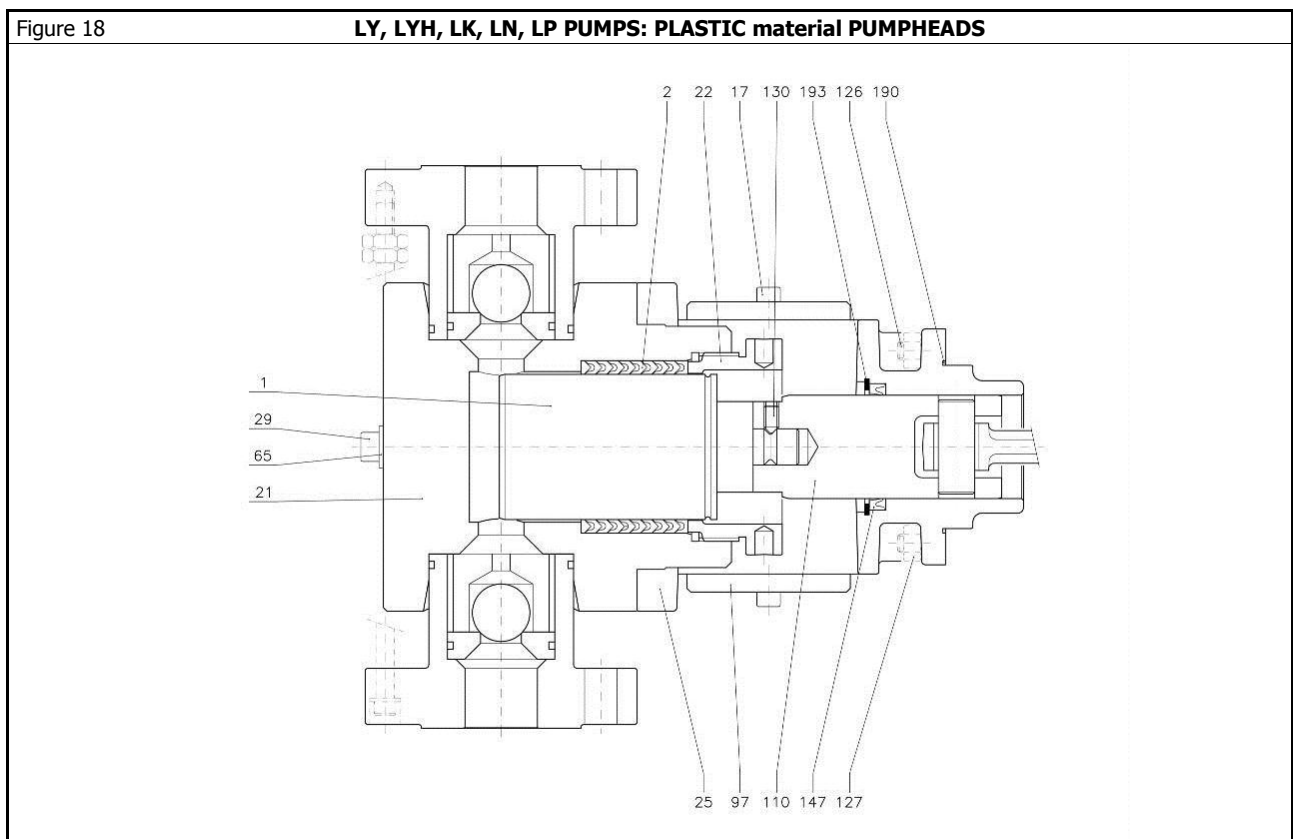
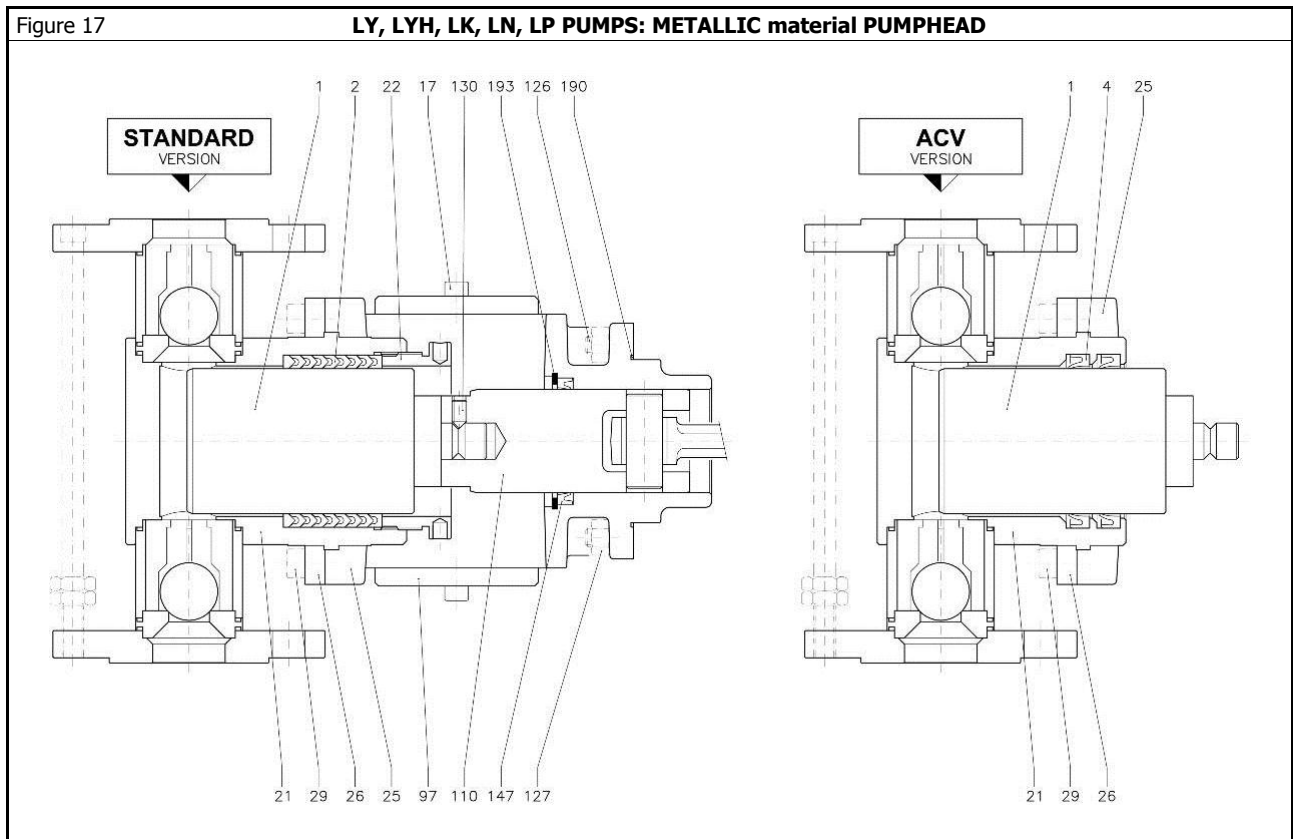
FIRST of all, operate as described in "Pumphead dismantling", then proceed as follows:

- remove the plunger packing to be replace (pos.2 or 4) without damage inside the pumphead (pos.21)
- clean inside the pumphead (pos.21) and assemble the new plunger packing (pos.2 or 4) taking special care to the correct and proper direction of assembly (see pumpheads figures)
- apply a film of grease (e.g. vaseline) on the new plunger packing (pos.2 or 4) and inside the seal lips
- reassemble the pumphead (pos.21) following in reverse the instructions as contained in "Pumphead dismantling"
- fix the pumphead by means of locking screws (pos.29), see "Pumphead tightening torque values"

8.2.3 Plunger verify and/or replacement

FIRST of all, operate as described in "Pumphead dismantling", then proceed as follows:

- remove the locking dowel (pos.130) from the crosshead (pos.110), then remove the plunger to be replaced (pos.1)
- apply a film of grease (e.g. vaseline) on the shank of the new plunger (pos.1), then insert it in the crosshead (pos.110)
- lock the new plunger (pos.1) inserting the locking dowel (pos.130) in the crosshead (pos.110)
- clean the plunger packing (pos.2 or 4) and apply a film of grease (e.g. vaseline) on it and inside the seal lips
- reassemble the pumphead (pos.21) following in reverse the instructions as contained in "Pumphead dismantling"
- fix the pumphead by means of locking screws (pos.29), see "Pumphead tightening torque values"



8.2.4 Pumphead tightening torque values

The table below shows the tightening torque to lock the pumphead.

The values are purely indicative and refer to temperatures indicated in "Ambient and design temperature".


For assembly of the pumphead, proceed as follows: Pull the head body to the yoke and hand-tighten the screws.

Following a "cross" tightening scheme, tighten each screw to the torque value specified in the table.

Proceeding clockwise, tighten each screw again (one time at least) until reaching the tightening uniformity.

Screw * (pos.29)	METALLIC pumphead material	PLASTIC pumphead material			
		PVC (P)	PVDF (S)	PTFE (T)	PP (PP)
M 8	16 Nm	8 Nm	8 Nm	8 Nm	8 Nm
M 10	30 Nm	15 Nm	15 Nm	15 Nm	15 Nm
M 12	60 Nm	30 Nm	30 Nm	30 Nm	30 Nm

NOTE * (pos.29) is a screw type **TCCE in AISI-304**

GB  **NOTE: For pumps with plastic material pumphead (where applicable) always use the washer (pos.65) to ensure appropriate load distribution, in order to avoid deformations or damage to the pumphead.**

8.2.5 Pumps with plastic material pumphead: Recommendations



NOTE: The customer (user and/or installer) must implement these recommendations.

Pumps with plastic material pumphead, compared to the metallic material, require a higher level of attention because of the mechanical characteristics of the material and the nature and/or danger of the chemical being pumped.

Define the most appropriate pumphead tightening torque value, considering also the following factors:

- if the pump is directly exposed to sunlight, or to extreme changes in temperature or if installed near heat sources
- if the handled fluid temperature can cause deformations or the pumphead
- at what actual pressure the pump works and if there is a pulsation dampener installed on the discharge

Also according to the importance and danger of the process, define an appropriate frequency for following checks:

- in case of plunger pumps, verify the plunger packing tightness (check and if necessary adjust the gland nut tightening)
- in case of diaphragm pumps, verify the pumphead leak-tight (check and if necessary adjust the tightening torque)
- verify the presence of any pumphead deformation due to the combined action of temperature and pressure



Any defect or irregularity detected during inspections should be promptly solved !

8.3 LN, LP PUMPS TYPE: KNOB ADJUSTMENT FRICTION SETTING

LN, LP pumps knob adjustment has a friction with no parts subject to wear, it does not need maintenance.

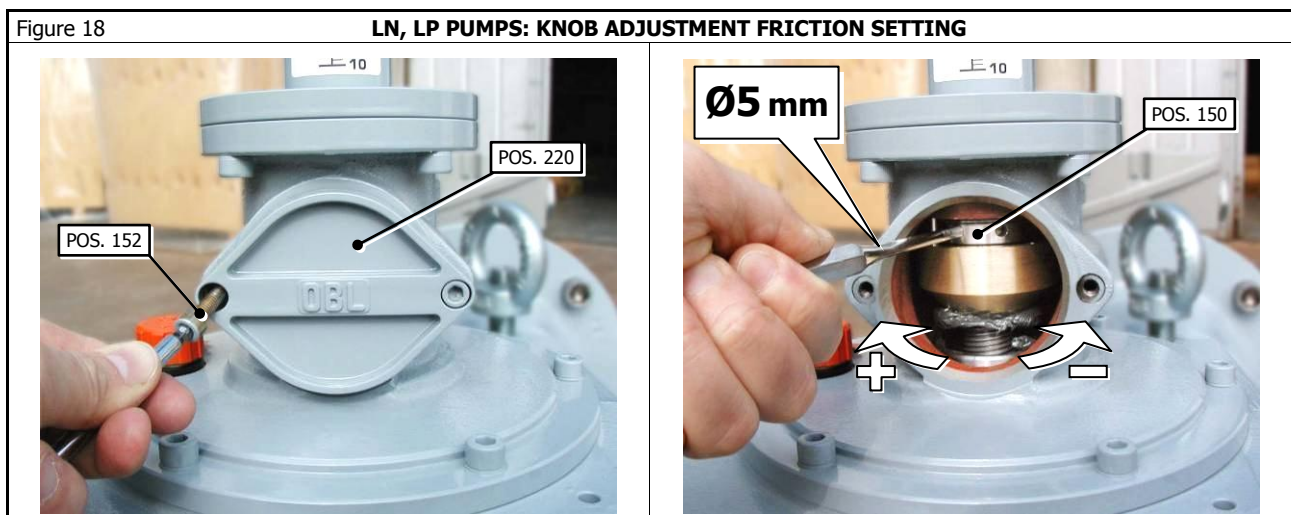
Increase the friction in case of the knob, while pump is running, does not remain on the set position.

Reduce the friction in case of the adjustment system is too stiff and to use the knob is difficult.

8.3.1 Increase or reduce the adjustment friction

To increase or reduce the adjustment friction proceed as follows (see figure 18):

- unscrew and keep the locking cap screws (pos.152)
- remove and keep the window cap (pos.220), and single out the ring nut (pos.150)
- the friction registration does not require unlocking or locking of any element
- with a pin punch tighten or loosen the ring nut (pos.150) max. 5° for a time, checking each time the amount of friction by turning the knob
- reached the desired degree of rigidity reassemble the cap (pos.220) and lock by the screws (pos.152)



8.4 BEARINGS REPLACEMENT

Replace the bearings according to actual pump operating conditions:

- **every 20.000 operating hours**, for continuous works at maximum performance
- **every 40.000 operating hours**, for discontinuous works under less severe conditions

To mount the new bearings it is advisable to use a proper sleeve exerting pressure on the coupling ring. In case of shaft coupling, place and support the sleeve on the internal bearing ring. For coupling on the hole, put pressure instead on the outer ring. Make sure the surfaces of the relative seats are lightly oiled to help fitting.

8.4.1 Reassembling

Before reassembling carefully clean internal parts and all components, ensuring above all that seals working surfaces have not been damaged. Pay particular attention while reassembling oil containment seals, especially taking care to preserve the integrity of the seal lips. Restore where needed the layer of grease on the contact surfaces, then proceed with reassembly.



Before restarting the pump, turn the motor fan with a screwdriver, in order to verify the pump mechanism free movement so to have a confirm of the correct reassembling.

9. OTHER INFORMATION

9.1 FAULTS AND OPERATING PROBLEMS

The tables below are not exhaustive. They contain possible causes and suggested remedy for the most common and recurring faults.

9.1.1 Flowrate lower than expected

POSSIBLE CAUSE	REMEDY
- Air enters from suction pipeline fittings	- Check suction pipeline and tighten the fittings
- Air trapped inside the pumphead	- Set, and maintain for a short time, pump flowrate to 100% of adjustment
- Suction head (suction lift) too high	- Reduce the suction head (suction lift)
- Vapour tension too high	- Increase the hydrostatic head on suction side
- Pumping temperature too high	- Increase the hydrostatic head on suction side
- Handled fluid viscosity too high	- Change suction pipeline with one of a larger diameter - Increase the hydrostatic head on suction side
- Suction tank sealed and/or without vent	- Make a vent on top of suction tank
- Suction pipeline clogged or closed by valves	- Check suction pipeline and valves
- Filter on suction pipeline clogged	- Check and if necessary clean the filter
- Pumps valves dirty, worn or reassembled in wrong direction	- Check the cleaning, wear and proper direction of assembly of pump valves
- Safety valve pressure setting is too low	- Check if the safety valve opens or not
- Wrong flowrate adjustment setting	- Check and if necessary correct the adjustment setting

9.1.2 Flow rate irregular or higher than expected

POSSIBLE CAUSE	REMEDY
- Suction pressure higher than discharge pressure	- Increase the discharge pressure at least 0,3÷0,5 bar (3÷5 metres) respect to the suction pressure
- Backpressure valve stuck in open position because of dirty or set pressure is too low	- Verify backpressure valve conditions
- Pump valves jammed in open position	- Verify pump valves, dismantle and clean them carefully

9.1.3 The plunger moves irregularly while pump is running

POSSIBLE CAUSE	REMEDY
- Excessive gland nut tightening	- Check and if necessary unscrew the plunger packing gland nut
- Scalings on packing and/or plunger surfaces	- Check packing and plunger surface conditions

9.1.4 Overheating of pump body and/or motor

POSSIBLE CAUSE	REMEDY
- Incorrect electrical connections	- Check electrical connections and motor power consumption
- Actual pump working pressure higher than the maximum allowed	- Install a pressure gauge on the discharge pipeline to verify and reduce actual pump working pressure
- Discharge pipeline may have reduced section causing a drastic increase of working pressure	- Reduce the working pressure or install a pulsation damper to stabilize pressure (avoid the peaks)
- Plant pipelines transmits stress to the pump connections	- Verify and if necessary correct the pipeline connections to the pump connections
- Discharge pipeline clogged or valve closed	- Check the discharge pipeline

- Backpressure valve set pressure is higher than maximum allowed	- Check the backpressure valve
- Excessive gland nut tightening	- Unscrew the plunger packing gland nut
- Low level of lubricant oil or chemically contaminated	- Check and if necessary change the lubricant oil

9.2 **DISCONNECTION FROM THE PLANT AND SENDING TO OBL FOR MAINTENANCE**

BEFORE shipping, always contact OBL customer service and operate as indicated in "Mandatory instruction for returning goods in OBL".

GB

9.3 **STORAGE FOR LONG PERIODS**

For long term storage (more than 6 months), in addition to those described in "Storage conditions" it is necessary to observe the following precautions:

- Before storage: protect unpainted surfaces with long-term anti-corrosion products
- Verify the conditions about every 6 months. At the first sign of corrosion clean and re-apply anti-corrosion products



Particular storage conditions should be previously reported, in order to provide a suitable packaging.

9.4 **DISPOSAL AND DEMOLITION**

The pumps are made of metal and plastic parts.

It is the end user's responsibility to respect the procedures and regulations in the country of operation, regarding disposing correctly of waste resulting from maintenance (consumption material) or the demolition of equipment.

"Waste" means any substance or object that the holder intends, or requires to discard. Waste are classified according to their origin in "urban waste" and "special waste" and also according to their harmfulness, in "dangerous waste" and "non-dangerous waste".



Waste deriving from pumps maintenance or demolition, only if properly cleaned, are classified as "special waste". Otherwise they are to be considered as "DANGEROUS special waste".



Is forbidden to mix "special waste" with "urban waste", especially "dangerous" with "non-dangerous waste"

Briefly summarized:

- there is an obligation not to dispose of "special waste" as "urban waste"
- "special waste" must be subject of separate collection using public or private collection systems according to local laws (transferred to appropriate collection points approved)
- according to its use, the equipment may contain dangerous substances. Improper disposal may have adverse effects on human health and the environment
- fines are provided in case of misuse or improper waste disposal



It is strictly forbidden to dispose of waste in the sewage system or leave waste in the environment. Contact your local waste disposal service to receive adequate and correct information.

10. **MANDATORY INSTRUCTION FOR RETURNING GOOD IN OBL**



ATTENTION: OBL reserves the right to reject any goods received without previous notice !

In the interest of the customer/user, we kindly invited the SENDER to ALWAYS contact OBL customer service (Tel +39-02-26919.1, service@obl.it) to agree the convenience or otherwise of sending/repair.

Following directions apply to ANY reasons for returning goods to OBL, e.g.:

- Servicing, maintenance, upgrading, retrofitting;
- Functional/Performance check, checking of Warranty applicability;
- BRAND NEW goods return and application for credit note due to wrong ordering;
- other...

10.1 **MANDATORY DIRECTIONS FOR SENDER**

- **BEFORE** shipping anything to OBL, **ALWAYS** contact OBL customer service (+39-02-26919.1, service@obl.it) to have **RA number** (authorisation number to return goods to OBL), returning informations **and related forms**;
- **PLUNGER pumps: Remove the entire pumphead, the plunger must remain "exposed"**. Do not send the "plunger packing", since it is highly polluted by the fluid handled;
- **DIAPHRAGM pumps: Only remove the valve units from the pumphead, DO NOT remove the pumphead body**;

- **In general: ALWAYS** remove from EACH equipment any residual of products. To guarantee safety at work for OBL's staff disassemble and clean each individual component wetted and attach them in a separate package;



ATTENTION: Parts considered "hazardous" for improper cleaning will be replaced and quoted as a new spares

- **Insert in the packing** (courier often keep them): a copy of shipping documents and for each equipment, copy of duly fill-in declaration of conformity for shipping and of Material Safety Data Sheet of pumped/handled fluid;
- Pack the good in a proper manner to avoid damage during transit, and clearly indicate **RA** number on packing;
- Ship goods **DAP Segrate** (DDP Segrate for goods coming from countries outside the EC) always with shipping document indicating relevant **RA number** to: OBL S.r.l. Via Bruno Buozzi n°1 - 20090 Segrate (MILANO) ITALY.



NOTE: The sender is aware of the penalties provided for unfaithful statements and falsity in acts. Is also responsible for damage to persons or property resulting from such actions.

10.2 CLEANING OF EQUIPMENT

Take appropriate and adequate protection measures to ensure and guarantee safety at work for the operator.

In the case of machines working with chemicals product (e.g. acids) pay the greatest attention to the most appropriate choice of liquid to do this operation properly and safely, and also preserve the integrity of the machinery.



Present information does not replace any existing standard or requirement for safety. OBL declines any responsibility for damages to persons or property.

10.3 GOODS REJECTED TO SENDER

If OBL receives the goods:

- Not properly cleaned (and/or without declaration of conformity for shipping filled-in)
- PUMPS: With pumphead not properly cleaned and dismantled
- WITHOUT an RA number (authorisation number) on shipping documents and/or on the packing itself
- With chemicals in the packing



They WILL NOT be accepted (nor service will be done) and will be sent back at sender's expenses !

11. OVERALL AND SECTIONAL DRAWINGS

Considering the importance of such documents (subject to changes or updates) we believe that they should not be an integral part of the present instructions manual. Unless agreed otherwise with the customer, they are therefore manually attached (latest edition).

12. CE CONFORMITY DECLARATION

L series plunger metering pumps are comply to requirements of following European Directives (latest edition):

- Machinery Directive
- Low Tension Directive
- Electromagnetic Compatibility Directive

The CE conformity declaration is an integral part of this operating manual (see next page).



POMPE DOSATRICI

METERING PUMPS



OBL s.r.l. - Via Kennedy, 12 - 20090 Segrate - MILANO - ITALY
Tel. +39 02 26919.1 - Fax +39 02 2133893 - E-mail: info@obl.it

DICHIARAZIONE DI CONFORMITÀ CE (Allegato IIA - 2006/42/CE) CE CONFORMITY DECLARATION (Attachement IIA - 2006/42/CE)

Modello / Model / Modèle / Modell / Modelo / Modelo / Model / Model / Typ / Model / Malli / Μοντέλο

POMPE DOSATRICI SERIE
METERING PUMPS SERIES

L

IT DICHIARAZIONE DI CONFORMITÀ CE

Noi, OBL s.r.l., MILANO ITALIA, dichiariamo sotto la nostra unica responsabilità che il prodotto cui questa dichiarazione si riferisce, è conforme alle seguenti direttive e successive modifiche:

- Direttiva Macchine 2006/42/CE;
- Direttiva Bassa Tensione 2006/95/CE;
- Direttiva Compatibilità Elettromagnetica 2004/108/CE.

GB CE CONFORMITY DECLARATION

We, OBL s.r.l., MILAN ITALY, declare under our sole responsibility that the product relevant to this declaration complies with the following directive and subsequent modifications:

- Machinery Directive 2006/42/EEC;
- Low Voltage Directive 2006/95/EEC;
- Electromagnetic Compatibility Directive 2004/108/EEC.

FR DECLARATION DE CONFORMITE CE

Nous, OBL s.r.l., MILAN Italie, déclarons sous notre seule responsabilité que le produit auquel cette déclaration se rapporte, est conforme aux suivantes directives et successives modifications:

- Directive Machines 2006/42/CEE;
- Directive Basse Tension 2006/95/CEE;
- Directive Compatibilité Electromagnétique 2004/108/CEE.

DE EU-KONFORMITÄTSERKLÄRUNG

Wir OBL s.r.l., MAILAND ITALIEN, erklären unter unserer Verantwortung, dass unser produkt, auf das sich diese erklärung bezieht, den folgenden EU-richtlinien und deren änderungen entspricht:

- Maschinenrichtlinie 2006/42/EWG;
- Richtlinie Niederspannung 2006/95/EWG;
- Normen über die Elektromagnetische Verträglichkeit 2004/108/EWG.

ES DECLARACIÓN DE CONFORMIDAD CE

Nosotros, OBL s.r.l., de MILÁN ITALIA, declaramos bajo nuestra sola responsabilidad que el producto al que se refiere esta declaración, cumple con las siguientes directivas y sucesivas modificaciones:

- Directiva de Máquinas 2006/42/CEE;
- Directiva de Baja Tensión 2006/95/CEE;
- Directiva de Compatibilidad Electromagnética 2004/108/CEE.

PT DECLARAÇÃO DE CONFORMIDADE CE

Nós, OBL s.r.l., MILÃO ITÁLIA, declaramos sob nossa inteira responsabilidade que o produto ao qual se refere esta declaração se encontra de acordo com as seguintes diretivas e sucessivas modificações:

- Directivas Máquinas 2006/42/EEC;
- Directivas Baixa Tensão 2006/95/EEC;
- Directivas Compatibilidade Electromagnética 2004/108/EEC.

NL EG-VERKLARING VAN OVEREENKOMST

Wij, OBL s.r.l., MILAAN ITALIÉ, verklaren voor onze uitsluitende verantwoordelijkheid dat het product waarop deze verklaring betrekking heeft, in overeenstemming is met de volgende richtlijnen en navolgende wijzigingen:

- Machinerichtlijn 2006/42/EEG;
- Laagspanningsrichtlijn 2006/95/EEG;
- Richtlijn Bestendigheid tegen Elektromagnetische Storingen 2004/108/EEG.

DA CE-OVERENSSTEMMELSE ERKLÆRING

Vi, OBL s.r.l., MILANO ITALIEN, erklærer os ansvarlige for at produktet, som denne erklæring henviser til, stemmer overens med følgende direktiver og påfølgende modificeringer:

- Maskindirektiv 2006/42/EEC;
- Lavspændingsdirektiv 2006/95/EEC;
- Direktif for Elektromagnetisk Forenelighed 2004/108/EEC.

SV EG ÖVERENSSTÄMMESEFÖRKLARING

Vi, OBL s.r.l., MILANO ITALIEN, förklarar under eget ansvar, att produkten, till vilken denna förklaring hänförs sig, överensstämmer med följande normer och deras respektive ändringar:

- Norm för Maskiner 2006/42/EEC;
- Norm för Lågspänning 2006/95/EEC;
- Norm för Elektromagnetiks Förenlighet 2004/108/EEC.

NO CE-OVERENSSTEMMELSESERKLÆRING

Vi, OBL s.r.l., MILANO ITALIA, erklærer under eget ansvar at produktet som omfattes av denne erklæringen er i overensstemmelse med følgende direktiver og senere endringer:

- Maskindirektivet 2006/42/EU;
- Lavspenningsdirektivet 2006/95/EU;
- Direktivet vedr. Elektromagnetisk Kompatibilitet 2004/108/EU.

FI YHDENMUKAISUUSTODISTUS

OBL s.r.l., MILANO ITALIA, vakuuttaa omalla vastuullaan, että tässä todistuksessa mainittu tuote vastaa seuraavien direktiivien ja niihin tehtyjen muutosten vaatimuksia:

- Laitedirektiivi 2006/42/EU;
- Pienjännitedirektiivi 2006/95/EU;
- Direktiivi 2004/108/EU joka käsittelee sähkömagneettista yhteensopivuutta.

EL ΔΗΛΩΣΗ ΣΥΜΜΟΡΦΩΣΗΣ CE

Εμείς η εταιρία, OBL s.r.l., MILANO ITALIAΣ, δηλώνουμε υπεύθυνα ότι το προϊόν αυτό είναι κατασκευασμένο σύμφωνα με τις παρακάτω προδιαγραφές και τις τροποποιήσεις τους:

- Προδιαγραφές μηχανμάτων 2006/42/EE
- Προδιαγραφές χαμηλής τάσης 2006/95/EE
- Προδιαγραφές ηλεκτρομαγνητικής συμβατότητας 2004/108/EE

Persona autorizzata a costituire il fascicolo tecnico / Person authorized to compile the technical file / Personne autorisée à constituer le dossier technique / Person bevollmäktigt die technischen Unterlagen zusammenzustellen
Persona facultada para elaborar el expediente técnico / Pessoa autorizada a compilar o processo técnico / Persoon die gemachtigd is het technisch dossier samen te stellen / Person bemyndiget til at udarbejde det tekniske dossier
Person som är behörig att ställa samman den tekniska dokumentationen / Autoriseret til å kompilere den tekniske dokumentasjonen / Henkilö on valtuutettu kokoamaan teknisen eritelmän
Πρόσωπο εξουσιοδοτημένο να καταρτίσει τον τεχνικό φάκελο

Stefano COPELLI

presso / at / à / bei / en / em / bij / ved / vid / på / at / στο

OBL s.r.l. - Via Kennedy, 12 - 20090 Segrate - MILANO - ITALY

Nome e posizione del dichiarante / Name and position of issuer
Nom et fonction de l'émetteur / Name und position des Ausstellers
Nombre y cargo del expedidor / Nome e posição do emissor
Naam en functie van de verstrekker
Naam en adresse på udsteder
Navn og befatning på udställare / Utsteders navn og stilling
Julkaisijan nimi ja asema / Όνομα και θέση εκδότη

Dieter SAUER
President

Segrate (MILANO) ITALY: 16.07.2012

Firma del dichiarante / Signature of issuer
Signature de l'émetteur / Unterschrift des erstellers
Firma del expedidor / Assinatura do emissor
Handtekening van de uitgever
Udsteder, underskrift
Utsteders signatur / Utårdarens namnteckning
Ilmoituksen antajan allekirjoitus / Υπογραφή εκδότη